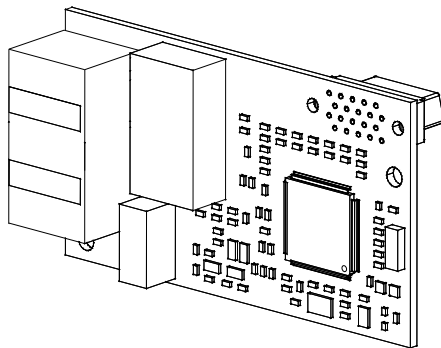


YASKAWA AC Drive Option **PROFINET** Installation Manual

Model SI-EP3

To correctly use the product, read this manual thoroughly and keep it for easy reference, inspection, and maintenance. Make sure that the end user receives this manual.



This Page Intentionally Blank

Table of Contents

1.	Preface and Safety	6
	Applicable Documentation	6
	Glossary	7
	Registered Trademarks	8
	Supplemental Safety Information	8
	Section Safety	8
2.	Overview	9
	Compatible Products	9
	Install the Option on a GA500 Drive	10
3.	Receiving	11
	Option Package Contents	12
	Installation Tools	12
4.	Option Components	13
	Option	13
	Communication Modular Connector CN1 Port 1/Port 2	13
	Option LED States	14
	Power-Up Diagnostics	16
5.	Installation Procedure	17
	Section Safety	17
	Procedures to Install and Wire Options on a Drive	18
	Procedure A	18
	Procedure B	24
	Procedure C	29
	Communication Cable Specifications	38
	Option Connection Diagram	39

Prepare and Connect Communication Cable Wiring	39
GSD Files	40
6. Related Drive Parameters	40
7. PROFINET Messaging	48
PROFINET Overview	48
PROFIdrive Communication Profile	49
The Control Word and the Status Word	49
Frequency Reference	49
Output Frequency	49
Yaskawa Vendor-Specific Control and Status Words	54
The Control Word and the Status Word	54
Frequency Reference	54
Output Frequency	54
8. Web Interface	55
Home Page	56
PROFINET Page	57
Network Page	58
Chart Page	61
Email Alerts Page	62
Procedure: Conditional Email Set-up	64
Parameter Access Page	65
Settings Page	66
Security Login	66
Webpage Password	66
Webpage Settings	66
Email Settings	67
9. Troubleshooting	67
Drive-Side Error Codes	67
Faults	67
Option Fault Monitors U6-98 and U6-99	69
Option Compatibility	70
10. European Standards	71
EMC Directive Compliance	72
Option Installation	72
11. Specifications	74
Specifications	74

12. Disposal	75
Disposal Instructions	75
WEEE Directive	75
Revision History	76

1 Preface and Safety

YASKAWA Electric supplies component parts for use in a wide variety of industrial applications. The selection and application of YASKAWA products remain the responsibility of the equipment designer or end user.

YASKAWA accepts no responsibility for the way its products are incorporated into the final system design. Under no circumstances should any YASKAWA product be incorporated into any product or design as the exclusive or sole safety control. Without exception, all controls should be designed to detect faults dynamically and fail safely under all circumstances. All products designed to incorporate a component part manufactured by YASKAWA must be supplied to the end user with appropriate warnings and instructions as to the safe use and operation of that part. Any warnings provided by YASKAWA must be promptly provided to the end user. YASKAWA offers an express warranty only as to the quality of its products in conforming to standards and specifications published in the manual. **NO OTHER WARRANTY, EXPRESS OR IMPLIED, IS OFFERED.** YASKAWA assumes no liability for any personal injury, property damage, losses, or claims arising from misapplication of its products.

◆ Applicable Documentation

The following manuals are available for the option:

Document	Description
Yaskawa AC Drive Option PROFINET Installation Manual (This book)	Read this manual first. The manual provides information about wiring, setting, functions, troubleshooting. The manual is packaged together with the product.
YASKAWA AC Drive Option PROFINET Technical Manual Manual No.: SIEP C730600 89	The technical manual contains detailed information about the option. Access the following sites to obtain the technical manual: U.S.: http://www.yaskawa.com Europe: http://www.yaskawa.eu.com Japan: http://www.e-mechatronics.com Other areas: Check the back cover of these manuals. For questions, contact Yaskawa or a Yaskawa representative.
YASKAWA AC Drive Manuals	Refer to the drive manual to connect with the option. Drive manuals contain basic installation and wiring information in addition to detailed parameter setting, fault diagnostic, and maintenance information. The manuals also include important information about parameter settings and tuning the drive. The Quick Start Guides are packaged with the drive. The most recent versions of these manuals are available for download on our documentation websites: U.S.: http://www.yaskawa.com Europe: http://www.yaskawa.eu.com Japan: http://www.e-mechatronics.com Other areas: Check the back cover of these manuals. For questions, contact Yaskawa or a Yaskawa representative.

◆ Glossary

Term	Definition
Option	YASKAWA AC Drive Option PROFINET
Keypad	<ul style="list-style-type: none"> • HOA Operator • LCD Operator • LED Operator • HOA Keypad • LCD Keypad • LED Keypad
Hex. (Example: 900 (Hex.))	Identifies a unit for hexadecimal number format.

◆ Registered Trademarks

- PROFINET is a registered trademark of PROFIBUS and PROFINET International (PI).
 - Trademarks are the property of their respective owners.
-

◆ Supplemental Safety Information

Read and understand this manual before installing, operating, or servicing this option. The option must be installed according to this manual and local codes.

The following conventions are used to indicate safety messages in this manual. Failure to heed these messages could result in serious or possibly even fatal injury or damage to the products or to related equipment and systems.

▲ DANGER This signal word identifies a hazard that will cause serious injury or death if you do not prevent it.

▲ WARNING This signal word identifies a hazard that can cause death or serious injuries if you do not prevent it.

▲ CAUTION This signal word identifies a hazardous situation, which, if not avoided, can cause minor or moderate injury.

NOTICE This signal word identifies a property damage message that is not related to personal injury.

■ Section Safety

General Precautions
<ul style="list-style-type: none">• The diagrams in this section may include options and drives without covers or safety shields to illustrate details. Be sure to reinstall covers or shields before operating any devices. The option should be used according to the instructions described in this manual.• The diagrams in this manual are provided as examples only and may not pertain to all products covered by this manual.• The products and specifications described in this manual or the content and presentation of the manual may be changed without notice to improve the product and/or the manual.• Contact Yaskawa or a Yaskawa representative and provide the manual number shown on the front cover to order new copies of the manual.

▲ DANGER Do not ignore the safety messages in this manual. If you ignore the safety messages in this manual, it will cause serious injury or death. The manufacturer is not responsible for injuries or damage to equipment.

▲ WARNING Electrical Shock Hazard. Do not modify the drive or option circuitry. Failure to obey can cause serious injury or death, or cause damage to the drive or option and will void warranty. Yaskawa is not responsible for modifications of the product made by the user.

NOTICE Damage to Equipment. Do not use steam or other disinfectants to fumigate wood for packaging the drive. Use alternative methods, for example heat treatment, before you package the components. Gas from wood packaging fumigated with halogen disinfectants, for example fluorine, chlorine, bromine, iodine or DOP gas (phthalic acid ester), can cause damage to the drive.

2 Overview

This option provides a communications connection between the drive and a PROFINET network. The option connects the drive to a PROFINET network and facilitates the exchange of data.

PROFINET is a communications link to connect industrial devices (such as smart motor controllers, operator interfaces, and variable frequency drives) as well as control devices (such as programmable controllers and computers) to a network. PROFINET is a simple networking solution. PROFINET reduces the cost and time to wire and install factory automation devices, while providing interchangeability of like components from multiple vendors.

PROFINET is an open network standard.

Install the option/PROFINET option on a drive to perform the following functions from a PROFINET master device:

- Operate the drive
- Monitor the drive operation status
- Change drive parameter settings

SI-EP3 is PROFINET Conformance Class A certified.

◆ Compatible Products

You can use the option with these products:

Table 2.1 Compatible Products

Drive	Model	Software Version ^{*/}
A1000	CIMR-Ax2Axxxx	≥ 1018
	CIMR-Ax4Axxxx	
	CIMR-Ax5Axxxx	≥ 5040 ≥ 1010
U1000	CIMR-UxxAxxxx	≥ 1010
	CIMR-UxxExxxx	
	CIMR-UxxPxxxx	
	CIMR-UxxWxxxx	
U1000L	CIMR-UxxLxxxx	≥ 6210
	CIMR-UxxFxxxx	
	CIMR-UxxRxxxx	

Drive	Model	Software Version ^{*/}
	CIMR-UxxSxxxx	
Z1000U	CIMR-ZxxAxxxx	≥ 6110
	CIMR-ZxxExxxxx	
	CIMR-ZxxPxxxx	
	CIMR-ZxxWxxxx	
GA500 ^{*2}	CIPR-GA50xxxxx	≥ 1010
GA700 ^{*2}	CIPR-GA70xxxxx	≥ 1010
GA800 ^{*2}	CIPR-GA80xxxxx	≥ 9010
CR700 ^{*2}	CIPR-CR70xxxxx	≥ 1012
CH700 ^{*2}	CIPR-CH70xxxxx	≥ 1012
HV600 ^{*2}	CIPR-HV60xxxxx	≥ 1011
FP605 ^{*3}	CIPR-FP65xxxxx	≥ 1010

*1 Refer to “PRG” on the drive nameplate for the software version number.

*2 Before you install the option on a GA500, GA700, GA800, CR700, CH700, or HV600 drive, make sure that the option software version is PRG: 4400 or later.

*3 Before you install the option on an FP605 drive, make sure that the option software version is PRG: 4402 or later.

Note:

- Refer to the option package labeling in the field designated “PRG (four digit number)” or the option labeling in the field to identify the option software version. Refer to [Figure 4.1](#) for information.

- For Yaskawa customers in the North or South America region:

If your product is not listed in [Table 2.1](#), refer to the web page below to confirm this manual is correct for your product. The web page provides a list of option manuals by product, and a direct link to download a PDF of the manual.

Scan QR code Or refer to:

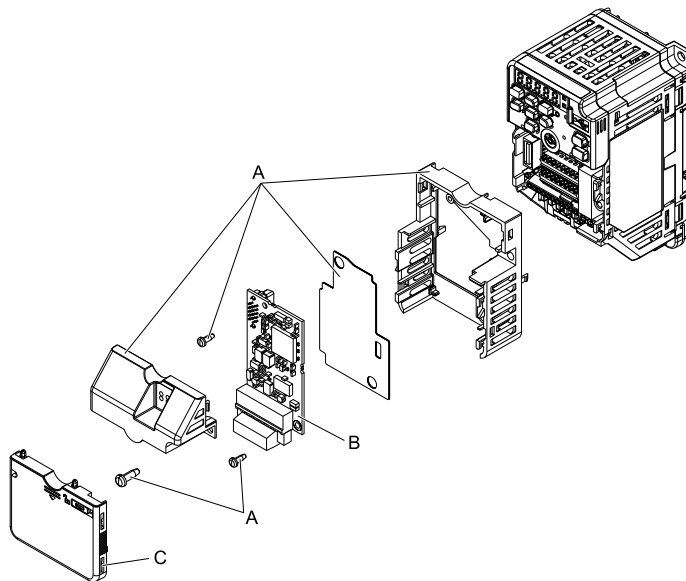
<http://www.yaskawa.com/optionlookup>



◆ Install the Option on a GA500 Drive

An option card mounting kit is necessary to install the option on a GA500 drive. The option card mounting kit model is: JOHB-GA50. This kit is sold separately.

Refer to the option card mounting kit manual for more information about installation.



A - Option card mounting kit components (sold separately)

B - Option

C - Drive front cover

Figure 2.1 Option Card Mounting Kit (JOHB-GA50)

3 Receiving

After receiving the option package:

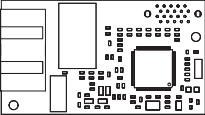


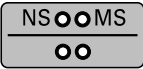

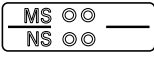
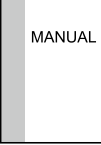
- Make sure that there is no damage to the option and there are no missing parts. The Yaskawa warranty does not include damage from shipping. Immediately contact the shipping company if the option or other parts are damaged.

NOTICE *Damage to Equipment. Do not use damaged parts to connect the drive and the option. Failure to comply could damage the drive and option.*

- Make sure that the model number on the option nameplate and the model number on the purchase order are the same. Refer to [Option on page 13](#) for more information.
- Contact the distributor where you purchased the option or contact Yaskawa or a Yaskawa representative about any problems with the option.

◆ Option Package Contents

Table 3.1 Contents of Package

Option Contents		Quantity
Option		1
Ground Wire *1		1
Screws (M3)		3 *2
LED Labels	1000-Series 	1
	GA500, GA700, GA800, CR700, and CH700 	1
	HV600, FP605 *3 	1 *4
Manuals		1

*1 GA700, GA800, CR700, and CH700 drives do not use the ground wire.

*2 GA700, GA800, CR700, CH700, HV600, and FP605 drives use two screws only.

*3 LED label has transparent background and white letters. Please make sure that you use the correct label for HV600 or FP605.

*4 Options purchased in Japan do not include LED labels for HV600 or FP605.

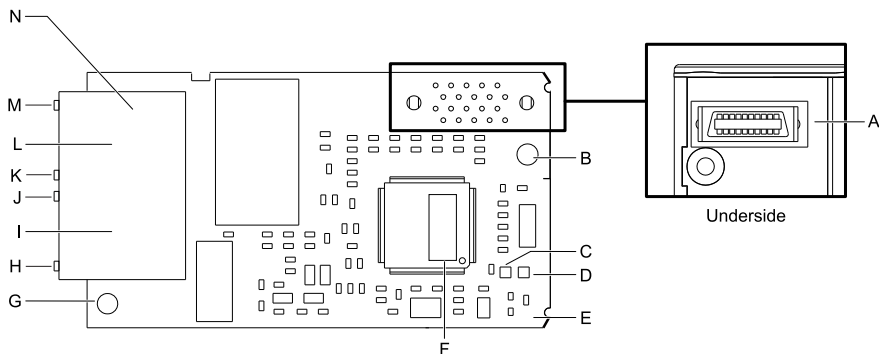
◆ Installation Tools

You can use these tools to install the option to the drive:

- A Phillips screwdriver or slotted screwdriver (blade depth: 0.4 mm (0.02 in), width: 2.5 mm (0.1 in)) ^{*1}.
 - A pair of diagonal cutting pliers.
 - A small file or medium-grit sandpaper.
- ^{*1} Phillips screw sizes are different for different drive capacities. Prepare different screwdrivers for different screw sizes.

4 Option Components

◆ Option



- | | |
|---|--|
| A - Connector (CN5) | H - Port 1 LED (10/100) ^{*1} |
| B - Installation hole | I - Port 1 (RJ45) |
| C - LED (NS) ^{*1} | J - Port 1 LED (LINK/ACT) ^{*1} |
| D - LED (MS) ^{*1} | K - Port 2 LED (10/100) ^{*1} |
| E - Option PCB | L - Port 2 (RJ45) |
| F - Software number label | M - Port 2 LED (LINK/ACT) ^{*1} |
| G - Ground terminal (FE) and installation hole ^{*2} | N - Option modular connector CN1 |

Figure 4.1 Option

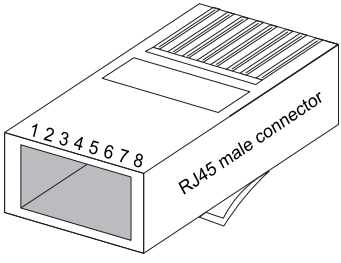
^{*1} Refer to [Option LED States on page 14](#) for more information about the LEDs.

^{*2} Connect the included ground wire during installation. The ground wire is not necessary for installations on GA700, GA800, CR700, and CH700 drives.

◆ Communication Modular Connector CN1 Port 1/Port 2

The communication modular connector CN1 on the option is a modular dual RJ45 female connector designated port 1 and port 2. Port 1 and port 2 are the connection points for a customer-supplied male Ethernet network communication cable.

Table 4.1 Male 8-way Ethernet Modular Connector (Customer-Supplied)

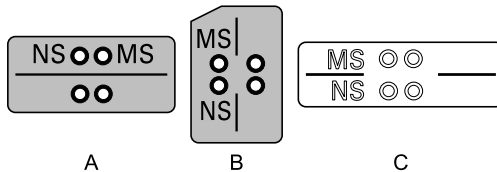
Male EtherNet 8-Way Modular Connector	Pin	Description
	1 (Pair 2)	Transmit data (TXD) +
	2 (Pair 2)	Transmit data (TXD) -
	3 (Pair 3)	Receive data (RXD) +
	4 (Pair 1)	Not used <i>*1</i>
	5 (Pair 1)	Not used <i>*1</i>
	6 (Pair 3)	Receive data (RXD) -
	7 (Pair 4)	Not used <i>*1</i>
	8 (Pair 4)	Not used <i>*1</i>

*1 Not used for 10 Mbps and 100 Mbps networks.

◆ Option LED States

The option has four LEDs:

- Bi-color Status LEDs:
 - Module status (MS) red/green
 - Network status (NS) red/green
- Ethernet LEDs (2 each):
 - Network speed-10/100 yellow
 - Link status and network activity-Link/Act green



A - 1000-Series

B - GA500, GA700, GA800, CR700, and CH700

C - HV600, FP605 **1*

Figure 4.2 Option LED Labels

*1 LED label has transparent background and white letters. Please make sure that you use the correct label for HV600 or FP605.

Wait 2 seconds minimum for the power-up diagnostic process to complete before you verify the LED states. [Table 4.2](#) shows the operating status of the option LEDs after the power-up diagnostic LED sequence is complete. The number in parentheses in the "Display" column is the number of pulses of 250 ms ON and 250 ms OFF. When the ON and OFF pulses complete for the number of times in parentheses, LED will be 500 ms OFF, then repeat the cycle of ON and OFF for the number of times.

Refer to [Table 4.3](#) for more information about the LEDs.

Table 4.2 Option LED States

LED Name	Indication		Operating State	Description
	Color	Display		
MS	-	OFF	Power supply off	There is no power to the drive.
	Green	ON	Option operating	The option is operating normally and initialization is complete.
	Green	Flashing (1)	Diagnostics	Diagnostic data available.
	Green	Flashing (2)	Configuration tool	Identified by a configuration tool.
	Red	ON	Default MAC or fatal error occurred.	The default MAC address is programmed or the option detected an unrecoverable error.
	Red	Flashing (1)	Invalid Station Name programmed	The device has an invalid Station name. You must use a valid station name from the PLC software or web page and rewrite it.
	Red	Flashing (2)	No IP (non-fatal)	No IP address assigned.
	Red	Flashing (3)	No station name (non-fatal)	No station name assigned.
	Red	Flashing (4)	Init failure (non-fatal)	Failed to initialize module.
	Red/Green	Flashing	Option self-test	The option is in self-test mode.
NS	-	OFF	Power supply OFF or Offline	-
	Green	ON	Connected	Connection established with I/O controller and in RUN mode.

LED Name	Indication		Operating State	Description
	Color	Display		
	Green	Flashing	Connected and stopped	Connection established with I/O controller and in STOP mode.
	Red	ON	bUS fault	Unrecoverable bUS fault.
	Red	Flashing (1)	Lost communication	Host communication is temporarily lost.
	Red	Flashing (2)	Lost link	No link detected to network.
	Red	Flashing (3)	IP address settings bad	Use the operator or DriveWizard to check and change F7 parameters, then cycle power. You can also set the PLC to assign the IP address. This will clear the fault automatically.
10/100 *I	Yellow	OFF	10 Mbps is established	
	Yellow	ON	100 Mbps is established	
LINK/ACT *I	Green	OFF	Link is not established	
	Green	ON	Link is established	
	Green	Flashing	Link is established and there is network activity	

*1 To verify LED states, you must remove the drive front cover. Do not touch the drive main circuit terminal or circuit boards when you remove the drive front cover.

■ Power-Up Diagnostics

An LED test is performed each time the drive is powered up. The initial boot sequence can take several seconds. After the LEDs complete the diagnostic LED sequence, the option is successfully initialized. The LEDs then assume operational conditions as shown in [Table 4.3](#).

Table 4.3 Power-Up Diagnostic LED Sequence

Sequence	Module Status (MS)	Network Status (NS)	Time (ms)
1	Green	OFF	250
2	Red	OFF	250
3	Green	OFF	-

Sequence	Module Status (MS)	Network Status (NS)	Time (ms)
4	Green	Green	250
5	Green	Red	250
6	Green	OFF	-

5 Installation Procedure

◆ Section Safety

▲ DANGER *Electrical Shock Hazard. Do not examine, connect, or disconnect wiring on an energized drive. Before servicing, disconnect all power to the equipment and wait for the time specified on the warning label at a minimum. The internal capacitor stays charged after the drive is de-energized. The charge indicator LED extinguishes when the DC bus voltage decreases below 50 Vdc. When all indicators are OFF, measure for dangerous voltages to make sure that the drive is safe. If you do work on the drive when it is energized, it will cause serious injury or death from electrical shock.*

▲ WARNING *Electrical Shock Hazard. Do not operate the drive when covers are missing. Replace covers and shields before you operate the drive. Use the drive only as specified by the instructions. Some figures in this section include drives without covers or safety shields to more clearly show the inside of the drive. If covers or safety shields are missing from the drive, it can cause serious injury or death.*

▲ WARNING *Electrical Shock Hazard. Only let approved personnel install, wire, maintain, examine, replace parts, and repair the drive. If personnel are not approved, it can cause serious injury or death.*

▲ WARNING *Electrical Shock Hazard. Do not remove covers or touch circuit boards while the drive is energized. If you touch the internal components of an energized drive, it can cause serious injury or death.*

▲ WARNING *Electrical Shock Hazard. Do not use damaged wires, put too much force on the wiring, or cause damage to the wire insulation. Damaged wires can cause serious injury or death.*

▲ WARNING *Fire Hazard. Tighten all terminal screws to the correct tightening torque. Connections that are too loose or too tight can cause incorrect operation and damage to the drive. Incorrect connections can also cause death or serious injury from fire.*

NOTICE *Damage to Equipment. When you touch the option, make sure that you observe correct electrostatic discharge (ESD) procedures. If you do not follow procedures, it can cause ESD damage to the drive circuitry.*

NOTICE *Damage to Equipment. Do not de-energize the drive while the drive is outputting voltage. Incorrect equipment sequencing can cause damage to the drive.*

NOTICE *Do not operate a drive or connected equipment that has damaged or missing parts. You can cause damage to the drive and connected equipment.*

NOTICE *Use Yaskawa connection cables or recommended cables only. Incorrect cables can cause the drive or option to function incorrectly.*

NOTICE *Damage to Equipment. Correctly connect the connectors. Incorrect connections can cause malfunction or damage to the equipment.*

NOTICE *Damage to Equipment. Make sure that all connections are correct after you install the drive and connecting peripheral devices. Incorrect connections can cause damage to the option.*

◆ **Procedures to Install and Wire Options on a Drive**

Procedures to install and wire the option are different for different drive models.

Refer to the following table to check the procedures to install and wire the option on a drive.

Table 5.1 Procedures to Install and Wire Options on a Drive

Drive	Procedures to Install and Wire Options on a Drive	Reference Page
A1000	Procedure A	18
U1000	Procedure A	18
U1000L	Procedure A	18
Z1000U	Procedure A	18
GA500	*1 *2	-
GA700	Procedure B	24
GA800	Procedure B	24
CR700	Procedure B	24
CH700	Procedure B	24
HV600	Procedure C	29
FP605	Procedure C	29

*1 To install the option on GA500 drives, use the option mounting kit and manual.

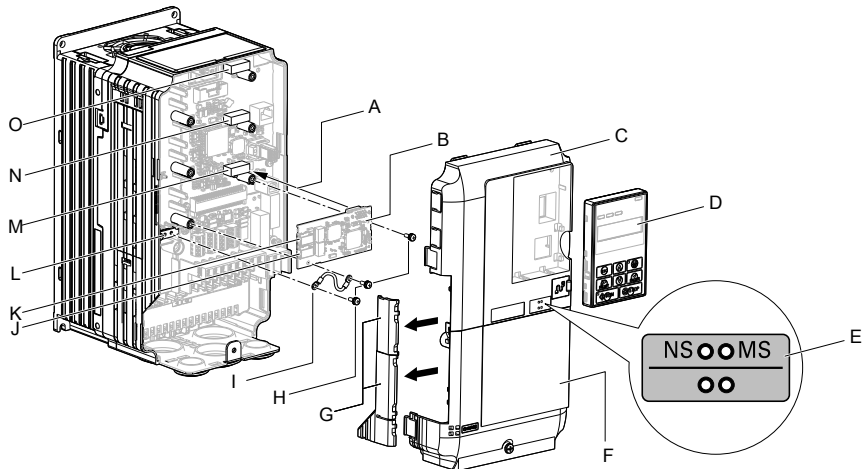
*2 Before you install the option on a GA500 drive, make sure that the option software version is PRG: 4400 or later.

■ **Procedure A**

This section shows the procedure to install and wire the option on a 1000-series drive.

Prepare the Drive for the Option

Correctly wire the drive as specified by the manual packaged with the drive. Make sure that the drive functions correctly. For information about drive connection and wiring, refer to the manuals for the drive on which you will use this option.



- | | |
|--|---|
| A - Insertion point for CN5 connector | I - Ground wire |
| B - Option | J - Option modular connector CN1 port 1 (RJ45) |
| C - Drive front cover | K - Option modular connector CN1 port 2 (RJ45) |
| D - Keypad | L - Drive grounding terminal (FE) |
| E - LED label | M - Connector CN5-A |
| F - Drive terminal cover | N - Connector CN5-B (Not available for communication option installation.) |
| G - Removable tabs for wire routing | O - Connector CN5-C (Not available for communication option installation.) |
| H - Included screws | |

Figure 5.1 Drive Components with Option

Install the Option

Use this procedure to install the option.

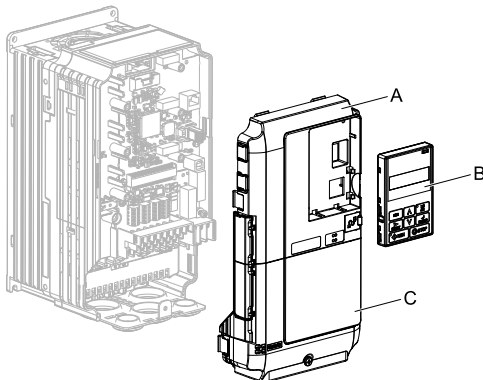
⚠ DANGER *Electrical Shock Hazard. Do not examine, connect, or disconnect wiring on an energized drive. Before servicing, disconnect all power to the equipment and wait for the time specified on the warning label at a minimum. The internal capacitor stays charged after the drive is de-energized. The charge indicator LED extinguishes when the DC bus voltage decreases below 50 Vdc. When all indicators are OFF, measure for dangerous voltages to make sure that the drive is safe. If you do work on the drive when it is energized, it will cause serious injury or death from electrical shock.*

1. Remove the keypad (B), front cover (A), and terminal cover (C).

Shut off power to the drive and wait for the time specified on the drive warning label at a minimum. Make sure that the charge indicator LED is unlit, then remove the keypad and front cover. Refer to the drive manuals for more information.

You can only install this option into the CN5-A connector on the drive control board.

NOTICE *Damage to Equipment.* When you touch the option, make sure that you observe correct electrostatic discharge (ESD) procedures. If you do not follow procedures, it can cause ESD damage to the drive circuitry.



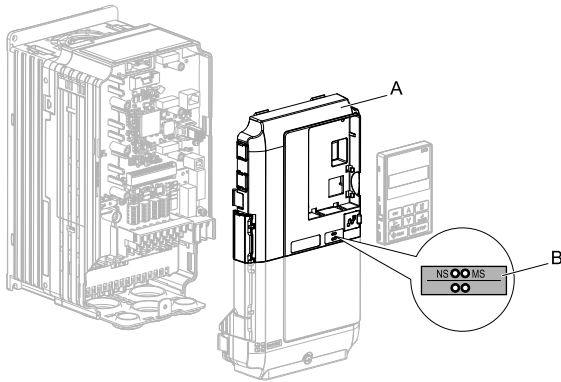
A - Drive front cover

B - Keypad

C - Drive terminal cover

Figure 5.2 Remove the Keypad, Front Cover, and Terminal Cover

- Put the LED label (B) in the correct position on the drive front cover (A).

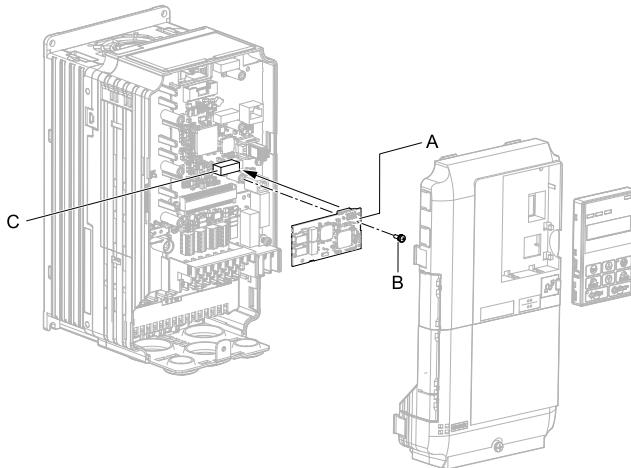


A - Drive front cover

B - LED label

Figure 5.3 Put the LED Label on the Drive Front Cover

- Install the option (A) into the CN5-A connector (C) on the drive and use one of the included screws (B) to put it in place.



A - Option

B - Included screw

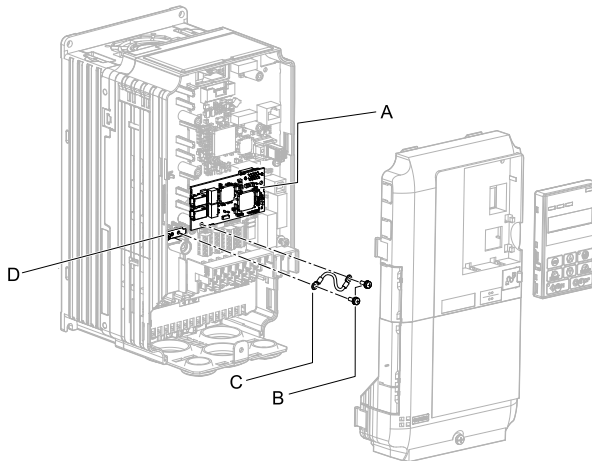
C - Connector CN5-A

Figure 5.4 Install the Option

4. Use one of the remaining included screws (B) to connect one end of the ground wire (C) to the ground terminal (A). Use the last remaining included screw (B) to connect the other end of the ground wire (C) to the remaining ground terminal and installation hole on the option (A).

Tighten the screws to a correct tightening torque:

- 0.5 N·m to 0.6 N·m (4.4 in·lb to 5.3 in·lb)



A - Option

B - Included screws

C - Ground wire

D - Drive grounding terminal (FE)

Figure 5.5 Connect the Ground Wire

Note:

The drive has only two ground terminal screw holes. When you connect three options, two options will share one ground terminal.

5. Route the option wiring.

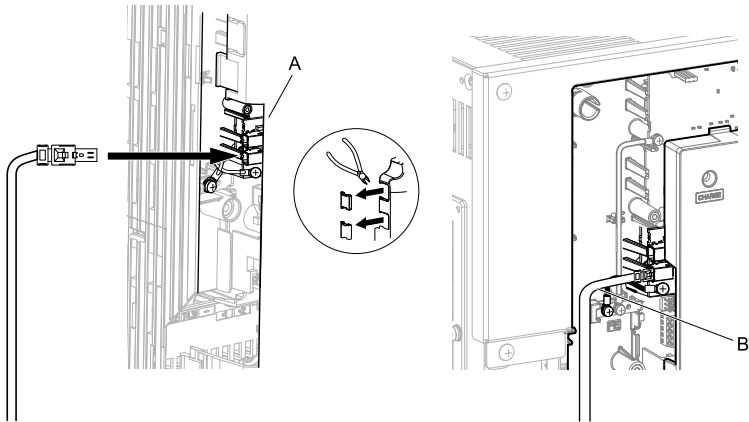
Procedures to wire the option are different for different drive models.

- You can route the option wiring through openings on the front cover of some models. Remove the perforated tabs on the left side of the front cover as shown in [Figure 5.6-A](#) to create the necessary openings on these models. To prevent damage to the cable from the cut end, treat the cut surface with sandpaper.
- Route the option wiring inside the enclosure as shown in [Figure 5.6-B](#). Make sure that the front covers will easily fit back onto the drive.

Refer to the drive manuals for more information.

Note:

Isolate communication cables from main circuit wiring and other electrical and power lines.



A - Route wires through the openings provided on the left side of the front cover. *1

B - Use the open space provided inside the drive to route option wiring.

Figure 5.6 Wire Routing Examples

*1 If there is wiring outside the enclosure, the drive will not meet Enclosed wall-mounted type (IP20/UL Type 1) requirements.

6. Firmly connect the PROFINET Cat 5e communication cable to the option modular connector CN1 port 1 or port 2.

Isolate communication cables from main circuit wiring and other electrical and power lines. Make sure that you firmly connect the cable end. (Refer to [Figure 5.22](#)). Refer to [Communication Cable Specifications on page 38](#) for more information.

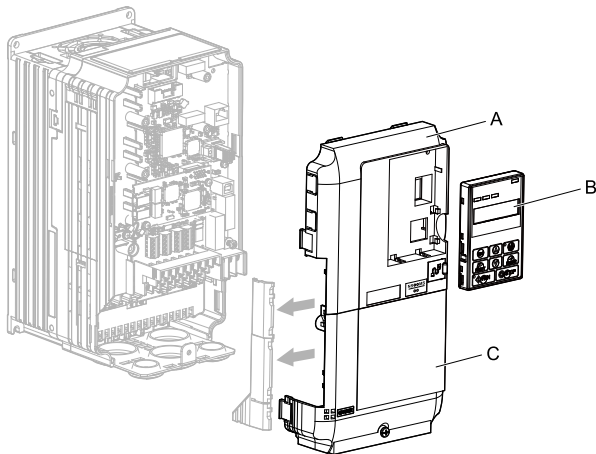
Note:

Do not connect or disconnect the communication cable while the drive is energized or while the drive is in operation. Failure to obey can cause a static discharge, which will cause the option to stop working correctly. Cycle power on the drive and option to start using the option again.

7. Use both CN1 port 1 and CN1 port 2 at the same time to daisy chain a series of drives where applicable.
8. Reattach the front cover (A), terminal cover (C), and keypad (B).
Refer to the drive manuals for more information.

NOTICE

Do not pinch cables between the front covers and the drive. Failure to comply could cause erroneous operation.



A - Drive front cover
B - Keypad

C - Drive terminal cover

Figure 5.7 Replace the Front Cover, Terminal Cover, and Keypad

9. Set drive parameters in [Related Drive Parameters on page 40](#) for correct option performance.

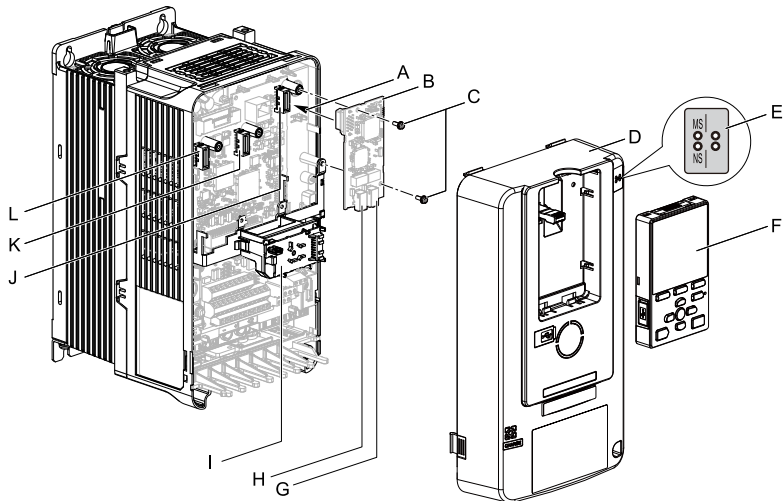
■ Procedure B

This section shows the procedure to install and wire the option on a GA700, GA800, CR700, or CH700 drive.

Prepare the Drive for the Option

Before you install the option on a YASKAWA AC Drive GA700, GA800, CR700, or CH700, make sure that the option software version is PRG: 4400 or later.

Correctly wire the drive as specified by the manual packaged with the drive. Make sure that the drive functions correctly. For information about drive connection and wiring, refer to the manuals for the drive on which you will use this option.



- | | |
|---------------------------------------|--|
| A - Insertion point for CN5 connector | G - Option modular connector CN1 port 1 (RJ45) |
| B - Option | H - Option modular connector CN1 port 2 (RJ45) |
| C - Included screws | I - LED Status Ring board |
| D - Drive front cover | J - Connector CN5-A |
| E - LED label | K - Connector CN5-B (Not available for communication option installation.) |
| F - Keypad | L - Connector CN5-C (Not available for communication option installation.) |

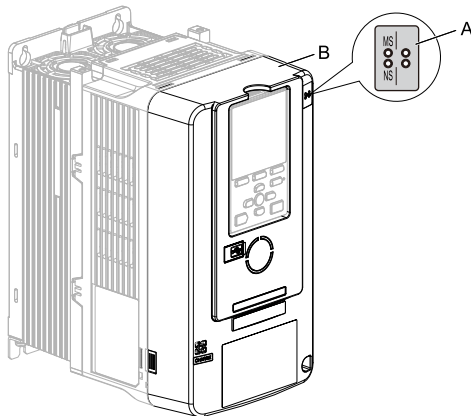
Figure 5.8 Drive Components with Option

Install the Option

Use this procedure to install the option.

⚠ DANGER *Electrical Shock Hazard. Do not examine, connect, or disconnect wiring on an energized drive. Before servicing, disconnect all power to the equipment and wait for the time specified on the warning label at a minimum. The internal capacitor stays charged after the drive is de-energized. The charge indicator LED extinguishes when the DC bus voltage decreases below 50 Vdc. When all indicators are OFF, measure for dangerous voltages to make sure that the drive is safe. If you do work on the drive when it is energized, it will cause serious injury or death from electrical shock.*

1. Put the LED label (A) in the correct position on the drive front cover (B).



A - LED label

B - Drive front cover

Figure 5.9 Put the LED Label on the Drive Front Cover

2. Remove the keypad (E) and front cover (D).

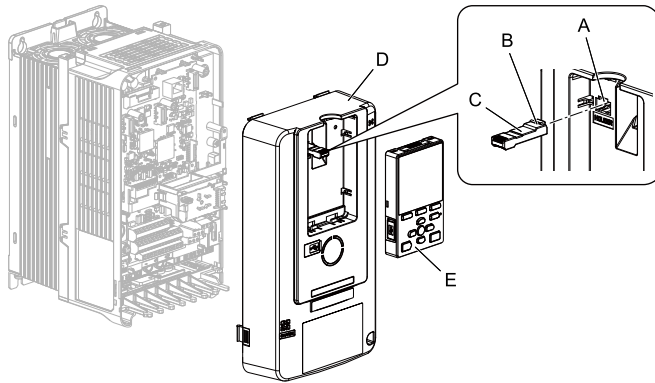
Shut off power to the drive and wait for the time specified on the drive warning label at a minimum. Make sure that the charge indicator LED is unlit, then remove the keypad and front cover. Refer to the drive manuals for more information.

You can only install this option into the CN5-A connector on the drive control board.

NOTICE *Damage to Equipment. When you touch the option, make sure that you observe correct electrostatic discharge (ESD) procedures. If you do not follow procedures, it can cause ESD damage to the drive circuitry.*

Note:

Remove the keypad, then move the keypad connector to the holder on the drive, then remove the front cover.



A - Holder

B - Keypad connector tab

C - Keypad connector

D - Drive front cover

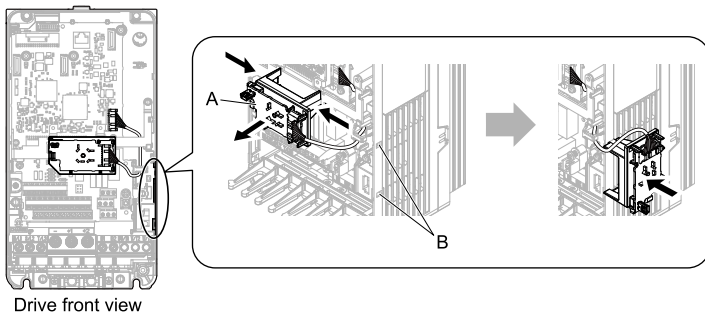
E - Keypad

Figure 5.10 Remove the Front Cover and Keypad

- Carefully remove the LED Status Ring board (A) and put it in the temporary placement holes (B) on the right side of the drive. Refer to the drive manuals for more information.

NOTICE

Do not remove the LED Status Ring board cable connector. If you disconnect the LED Status Ring board, it can cause incorrect operation and damage to the drive.



Drive front view

A - LED Status Ring board

B - Temporary placement holes

Figure 5.11 Remove the LED Status Ring Board

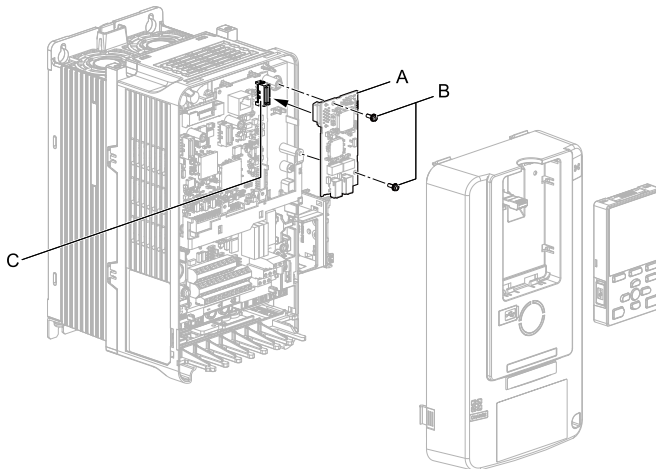
4. Insert the option (A) into the CN5-A connector (C) on the drive and use the included screws (B) to put it in place.

Tighten the screws to a correct tightening torque:

- 0.5 N·m to 0.6 N·m (4.4 in·lb to 5.3 in·lb)

Note:

1. A ground wire is not necessary. Do not use the ground wire.
2. Only two screws are necessary to install the option on GA700, GA800, CR700, and CH700 drives.
3. Three screws and one ground wire are packaged with option.



A - Option

C - Connector CN5-A

B - Included screws

Figure 5.12 Install the Option

5. Firmly connect the PROFINET Cat 5e communication cable to the option modular connector CN1 port 1 or port 2.

Isolate communication cables from main circuit wiring and other electrical and power lines. Make sure that you firmly connect the cable end. (Refer to [Figure 5.22](#)). Refer to [Communication Cable Specifications on page 38](#) for more information.

Note:

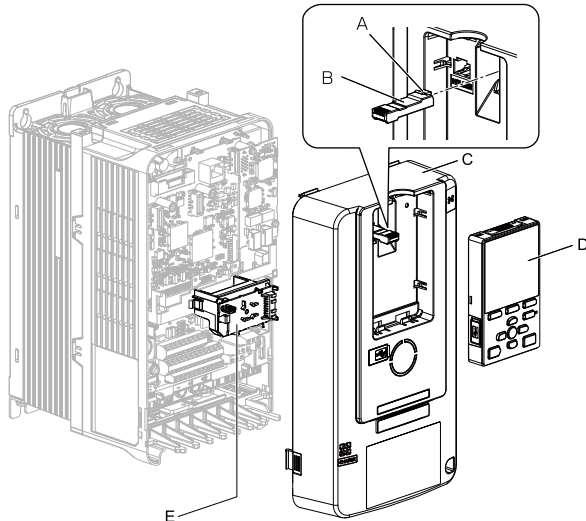
- Do not connect or disconnect the communication cable while the drive is energized or while the drive is in operation. Failure to obey can cause a static discharge, which will cause the option to stop working correctly. Cycle power on the drive and option to start using the option again.
- Maximum transmission distance is 100 m (328 ft). Minimum wiring distance between stations is 0.2 m (7.9 in).

6. Use both CN1 port 1 and CN1 port 2 at the same time to daisy chain a series of drives where applicable.
7. Reattach the LED Status Ring board (E), front cover (C), and keypad (D). Refer to the drive manuals for more information.

NOTICE Do not pinch cables between the front cover or the LED Status Ring board and the drive. Failure to comply could cause erroneous operation.

Note:

- Replace the keypad connector then install the keypad.
- Put the keypad connector tab into the holder when you install the keypad connector to the holder.



A - Keypad connector tab
 B - Keypad connector
 C - Drive front cover

D - Keypad
 E - LED Status Ring board

Figure 5.13 Install the LED Status Ring board, Front Cover, and Keypad

8. Set drive parameters in [Related Drive Parameters on page 40](#) for correct option performance.

■ Procedure C

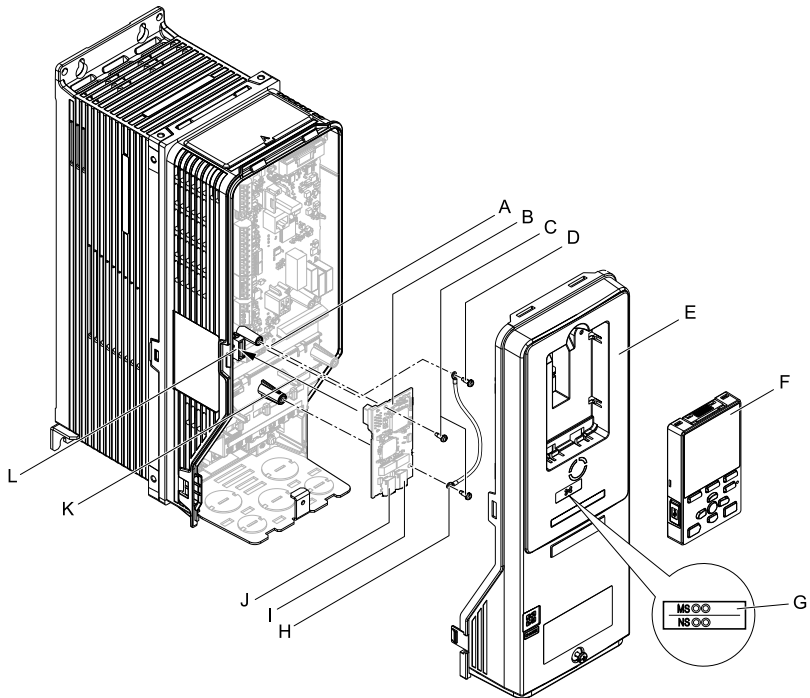
This section shows the procedure to install and wire the option on an HV600 or FP605 drive.

Prepare the Drive for the Option

Before you install the option on an HV600 drive, make sure that the option software version is PRG: 4400 or later.

Before you install the option on an FP605 drive, make sure that the option software version is PRG: 4402 or later.

Correctly wire the drive as specified by the manual packaged with the drive. Make sure that the drive functions correctly. For information about drive connection and wiring, refer to the manuals for the drive on which you will use this option.



- | | |
|-----------------------------------|--|
| A - Drive grounding terminal (FE) | G - LED label |
| B - Option | H - Ground wire |
| C - Included screws | I - Option modular connector CN1 port 1(RJ45) |
| D - Ground screw | J - Option modular connector CN1 port 2(RJ45) |
| E - Drive front cover | K - Insertion point for connector (HV600: CN5, FP605: CN5-A) |
| F - Keypad | L - Connector (HV600: CN5, FP605: CN5-A) |

Figure 5.14 Drive Components with Option

Install the Option

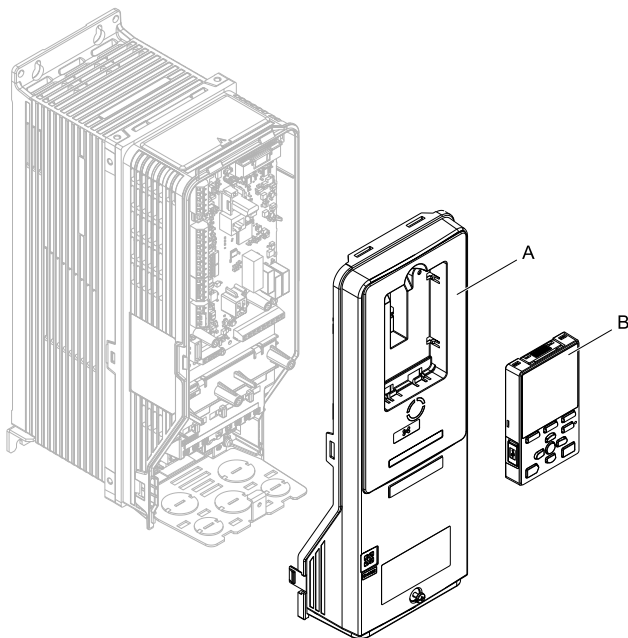
Use this procedure to install the option.

⚠ DANGER *Electrical Shock Hazard. Do not examine, connect, or disconnect wiring on an energized drive. Before servicing, disconnect all power to the equipment and wait for the time specified on the warning label at a minimum. The internal capacitor stays charged after the drive is de-energized. The charge indicator LED extinguishes when the DC bus voltage decreases below 50 Vdc. When all indicators are OFF, measure for dangerous voltages to make sure that the drive is safe. If you do work on the drive when it is energized, it will cause serious injury or death from electrical shock.*

1. Remove the keypad (B) and front cover (A).

Shut off power to the drive and wait for the time specified on the drive warning label at a minimum. Make sure that the charge indicator LED is unlit, then remove the keypad and front cover. Refer to the drive manuals for more information.

NOTICE *Damage to Equipment. When you touch the option, make sure that you observe correct electrostatic discharge (ESD) procedures. If you do not follow procedures, it can cause ESD damage to the drive circuitry.*



A - Drive front cover

B - Keypad

Figure 5.15 Remove the Front Cover and Keypad

- Put the LED label (B) in the correct position on the drive front cover (A).

Note:

Place the LED label vertically on the drive as shown in [Figure 5.16](#).

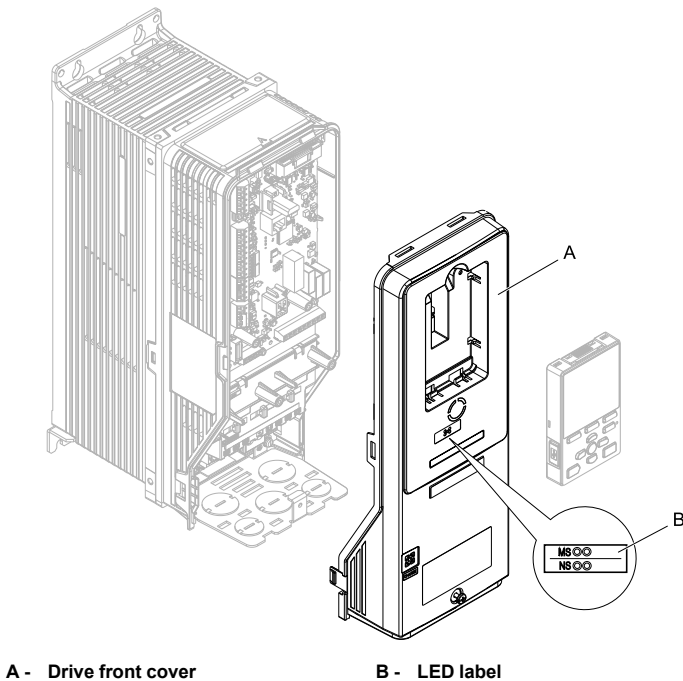
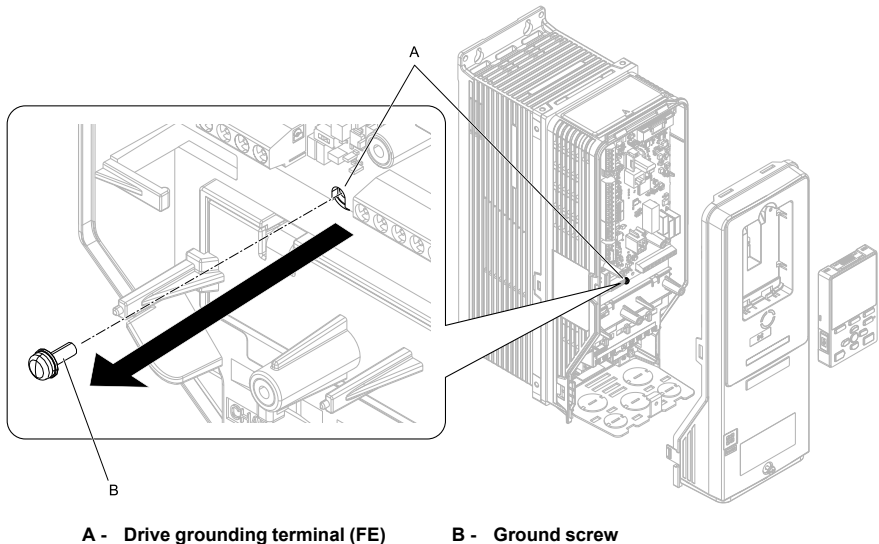


Figure 5.16 Put the LED Label on the Drive Front Cover

3. Remove the screw (B) installed in the drive grounding terminal (A).



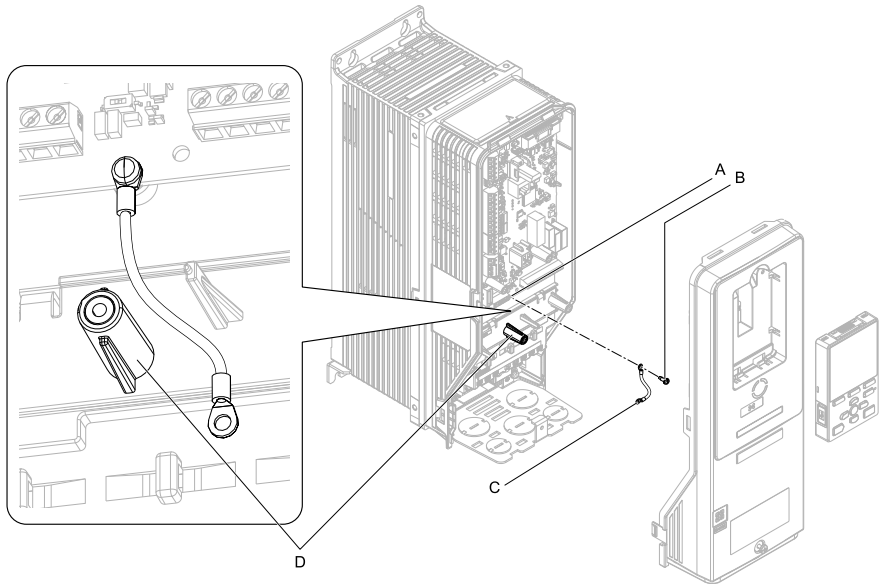
A - Drive grounding terminal (FE) B - Ground screw

Figure 5.17 Remove the Screw from the Drive Grounding Terminal

4. Use the screw (B) installed in the FE ground terminal of the drive (A) to connect one end of the included ground wire (C) to the ground terminal on the drive.
Tighten the screw to a correct tightening torque:
 - 0.5 N·m to 0.6 N·m (4.4 in·lb to 5.3 in·lb)

Note:

Route ground wire on the right side of the stud (D).



A - Drive grounding terminal (FE)
B - Ground screw

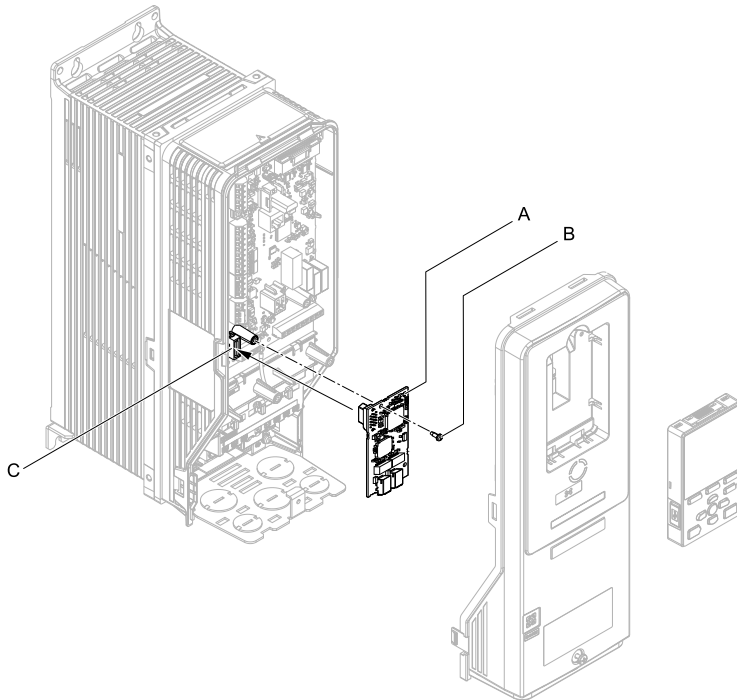
C - Ground wire
D - Stud

Figure 5.18 Connect the Ground Wire

5. Install the option (A) into the connector (C) (HV600: CN5, FP605: CN5-A) on the drive and use the included screws (B) to put it in place.
 Tighten the screw to a correct tightening torque:
 - 0.5 N·m to 0.6 N·m (4.4 in·lb to 5.3 in·lb)

Note:

Only two screws are necessary to install the option on HV600 and FP605 drives.



A - Option

B - Included screw

C - Connector CN5

Figure 5.19 Install the Option

6. Use one of the remaining included screws (B) to connect the ground wire (A) to the ground terminal and installation hole on the option.
Tighten the screw to a correct tightening torque:
 - 0.5 N·m to 0.6 N·m (4.4 in·lb to 5.3 in·lb)

Note:

Wire the ground wire as specified by [Figure 5.20](#).

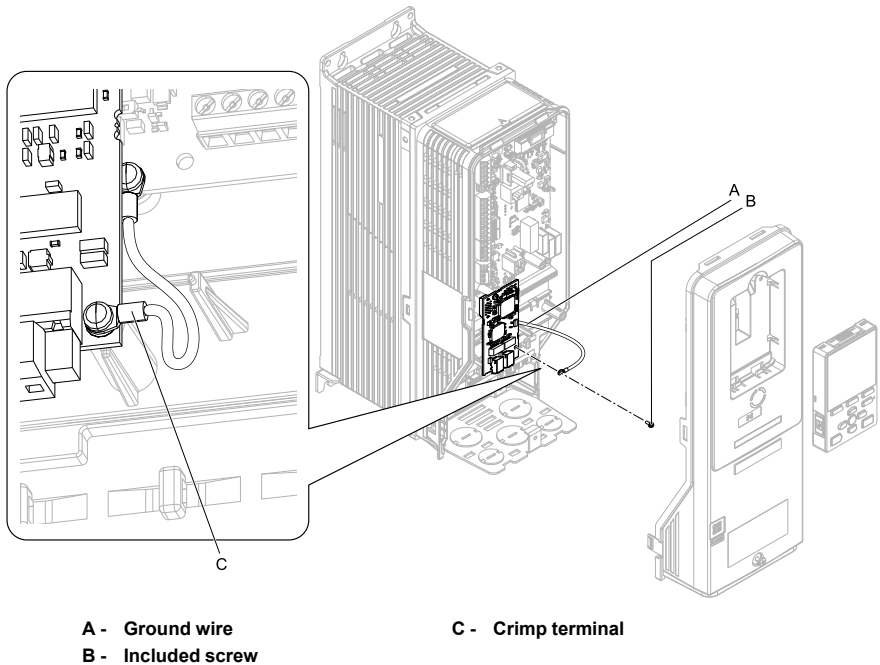


Figure 5.20 Connect the Ground Wire

7. Firmly connect the PROFINET Cat 5e communication cable to the option modular connector CN1 port 1 or port 2.

Isolate communication cables from main circuit wiring and other electrical and power lines. Make sure that you firmly connect the cable end. (Refer to [Figure 5.22](#)). Refer to [Communication Cable Specifications on page 38](#) for more information.

Note:

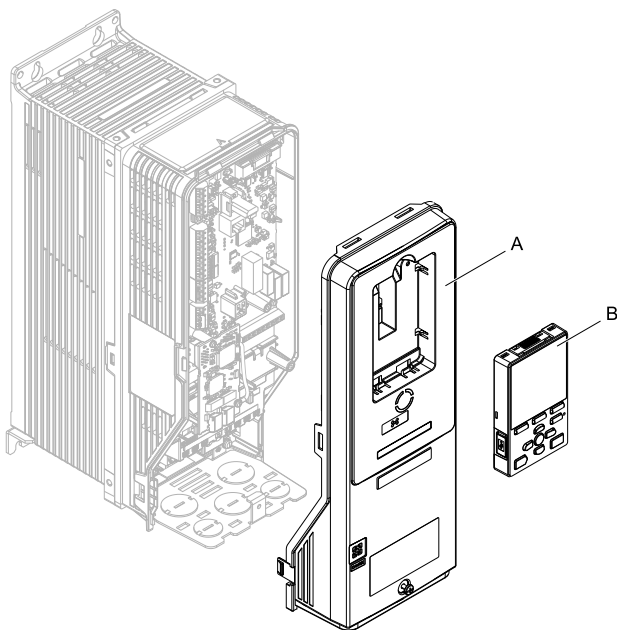
Do not connect or disconnect the communication cable while the drive is energized or while the drive is in operation. Failure to obey can cause a static discharge, which will cause the option to stop working correctly. Cycle power on the drive and option to start using the option again.

8. Reattach the drive front cover (A) and the keypad (B).

Refer to the drive manuals for more information.

NOTICE

Do not pinch cables between the front covers and the drive. Failure to comply could cause erroneous operation.



A - Drive front cover

B - Keypad

Figure 5.21 Replace the Front Cover and Keypad

9. Set drive parameters in [Related Drive Parameters on page 40](#) for correct option performance.

◆ Communication Cable Specifications

Use only PROFINET dedicated communication cable; the Yaskawa warranty does not cover other cable types.

■ Option Connection Diagram

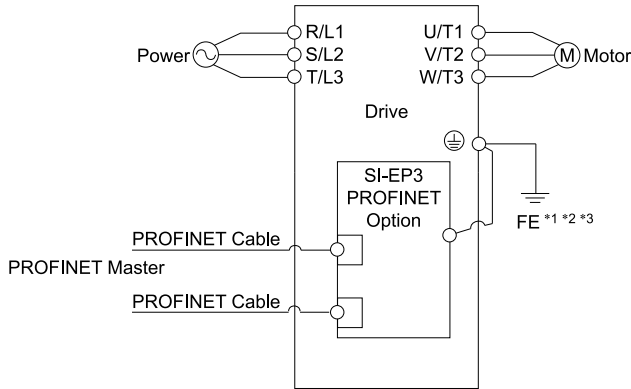


Figure 5.22 Option Connection Diagram

- *1 Connect the included ground wire for installations on 1000-series drives and GA500 drives.
- *2 The ground wire is not necessary for installation on GA700, GA800, CR700, or CH700 drives.
- *3 On an HV600 and FP605 drive, install the option to the drive, connect one end of the included ground wire to the ground terminal on the drive, then connect the other end of the ground wire to the the ground terminal and installation hole on the option.

■ Prepare and Connect Communication Cable Wiring

The option modular connector CN1 port 1 and port 2 act as a switch to allow for flexibility in cabling topology. Users may employ a traditional star network topology using either CN1 port 1 or CN1 port 2 on the option. Users may also choose to employ a ring topology using both CN1 port 1 and CN1 port 2 on the option and reduce the requirements of PROFINET switch ports.

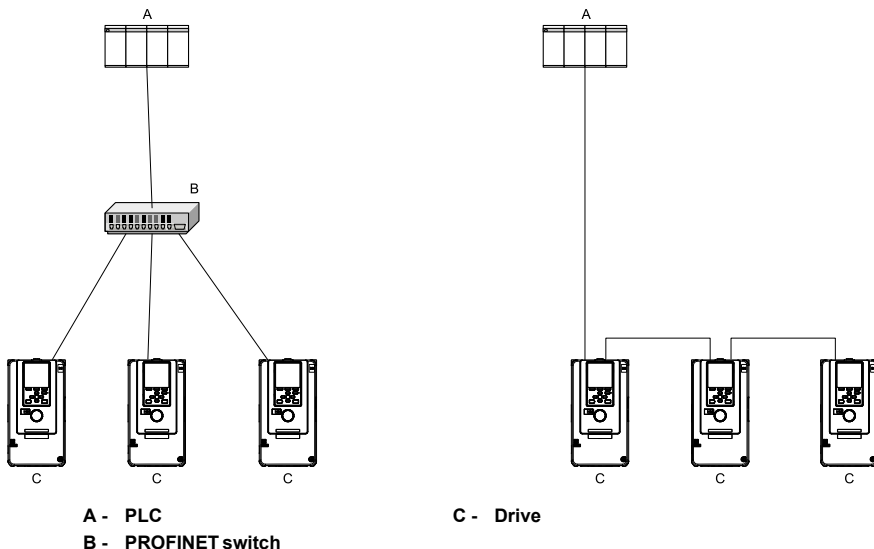


Figure 5.23 Prepare and Connect Communication Cable Wiring

◆ GSD Files

To facilitate network implementation, obtain a GSD file from one of the following websites depending on your region: U.S.: <http://www.yaskawa.com> Europe: <http://www.yaskawa.eu.com> Japan: <http://www.e-mechatronics.com> Other areas: Check the back cover of these manuals. For questions, contact Yaskawa or a Yaskawa representative.

Note:

Download the GSD file for YASKAWA AC Drive Option SI-EP3. If you download an incorrect GSD file, this product will not operate as a slave in the network.

6 Related Drive Parameters

These parameters set the drive for operation with the option. Confirm correct parameter settings in this table before you start network communications.

Note:

Hex.: MEMOBUS addresses that you can use to change parameters over network communication are represented in hexadecimal numbers.

No. (Hex.)	Name	Description	Default (Range)
b1-01 (0180)	Frequency Reference Selection 1	<p>Selects the input method for frequency reference.</p> <p>0 : Keypad 1 : Analog Input 2 : Memobus/Modbus Communications 3 : Option PCB 4 : Pulse Train Input</p> <p>Note:</p> <ul style="list-style-type: none"> Set <i>b1-02 = 3</i> [<i>Run Command Selection 1 = Option PCB</i>] to use the master device and serial communications to start and stop the drive. Set <i>b1-01 = 3</i> to use the master device to control the frequency reference of the drive. The default setting is different for different drives. Refer to the instruction manual of your specific drive for more information. 	1 (0 - 4)
b1-02 (0181)	Run Command Selection 1	<p>Selects the input method for the Run command.</p> <p>0 : Keypad 1 : Digital Input 2 : Memobus/Modbus Communications 3 : Option PCB 7 : AUTO Command + Term Run 8 : AUTO Command + Serial Run 9 : AUTO Command + Option Run</p> <p>Note:</p> <ul style="list-style-type: none"> Set <i>b1-02 = 3</i> to start and stop the drive with the master device using serial communications. Set <i>b1-01 = 3</i> [<i>Frequency Reference Selection 1 = Option PCB</i>] to use the master device to control the frequency reference of the drive. Settings 7 to 9 are available in HV600 software versions PRG: 1011 and later. 	1 (0 - 9)
F6-01 (03A2)	Communication Error Selection	<p>Selects drive response when the drive detects a <i>bUS</i> [<i>Option Communication Error</i>] error during communications with the option.</p> <p>0 : Ramp to Stop 1 : Coast to Stop 2 : Fast Stop (Use C1-09) 3 : Alarm Only 4 : Alarm - Run at d1-04 5 : Alarm - Ramp Stop</p> <p>Note:</p> <ul style="list-style-type: none"> When you set this parameter to 3 or 4, the drive will continue operation after it detects a fault. Separately prepare safety protection equipment and systems, for example fast-stop switches. 	1 (0 - 5)

6 Related Drive Parameters

No. (Hex.)	Name	Description	Default (Range)
		<ul style="list-style-type: none"> Refer to the drive manual to know if settings 4 and 5 are available. Settings 4 and 5 are available in A1000 software versions PRG: 1021 and later. The setting range for 1000-Series drives is different for different software versions. Refer to the Peripheral Devices & Options section of the drive instruction manual for more information. 	
F6-02 (03A3)	Comm External Fault (EF0) Detect	Selects the conditions at which <i>EF0 [Option Card External Fault]</i> is detected. 0 : Always Detected 1 : Detected during RUN Only	0 (0, 1)
F6-03 (03A4)	Comm External Fault (EF0) Select	Selects the operation of the drive when <i>EF0 [Option Card External Fault]</i> is detected. 0 : Ramp to Stop 1 : Coast to Stop 2 : Fast Stop (Use C1-09) 3 : Alarm Only Note: When you set this parameter to 3, the drive will continue operation after it detects a fault. Separately prepare safety protection equipment and systems, for example fast stop switches.	1 (0 - 3)
F6-06 (03A7)	Torque Reference/Limit by Comm	Sets the function that enables and disables the torque reference and torque limit received from the communication option. 0 : Disabled 1 : Enabled Note: <ul style="list-style-type: none"> Control method availability of this parameter is different for different product series. <ul style="list-style-type: none"> –1000-Series Parameter is available in <i>A1-02 = 3, 6, 7 [Control Method Selection = Closed Loop Vector, PM Advanced Open Loop Vector, PM Closed Loop Vector]</i>. When you enable this parameter, <i>d5-01 [Torque Control Selection]</i> sets the drive to read the value as the Torque Limit value or the Torque Reference value. <i>d5-01 = 0 [Speed Control]:</i> Torque Limit <i>d5-01 = 1 [Torque Control]:</i> Torque Reference When <i>A1-02 = 6 [Control Method Selection = PM Advanced Open Loop Vector]</i>, the drive reads this value as the Torque Limit. –GA500 Parameter is available in <i>A1-02 = 2, 6, 8 [Control Method Selection = Open Loop Vector, PM Advanced Open Loop Vector, EZ Vector Control]</i>. The drive reads this value as the Torque Limit. –GA700, GA800 Parameter is available in <i>A1-02 = 2, 3, 4, 6, 7, 8 [Control Method Selection = Open Loop Vector, Closed</i> 	0 (0, 1)

No. (Hex.)	Name	Description	Default (Range)
		<p><i>Loop Vector, Advanced Open Loop Vector, PM Advanced Open Loop Vector, PM Closed Loop Vector, EZ Vector Control</i>.</p> <p>When you enable this parameter, <i>d5-01 [Torque Control Selection]</i> sets the drive to read the value as the Torque Limit value or the Torque Reference value.</p> <p><i>d5-01 = 0 [Speed Control]</i>: Torque Limit</p> <p><i>d5-01 = 1 [Torque Control]</i>: Torque Reference</p> <p>When <i>A1-02 = 2, 8 [Control Method Selection = Open Loop Vector, EZ Vector Control]</i>, the drive reads this value as the Torque Limit.</p> <p>—CR700, CH700</p> <p>When <i>A1-02 = 2, 3, 4 [Control Method Selection = Open Loop Vector, Closed Loop Vector, Advanced Open Loop Vector]</i>, the drive reads this value as the Torque Limit.</p> <p>—HV600, FP605</p> <p>Parameter is available in <i>A1-02 = 8 [Control Method Selection = EZ Vector Control]</i>.</p> <p>When <i>A1-02 = 8 [Control Method Selection = EZ Vector Control]</i>, the drive reads this value as the Torque Limit.</p> <ul style="list-style-type: none"> • If the PLC does not supply a torque reference or torque limit when <i>F6-06 = 1 [Torque Reference/Limit by Comm = Enabled]</i>, the motor cannot rotate. 	
F6-07 (03A8)	Multi-Step Ref @ NetRef/ ComRef	<p>0 : Disable Multi-Step References</p> <p>1 : Enable Multi-Step References</p> <p>Note:</p> <p>Default setting of <i>F6-07</i> is 1 for GA500.</p>	0 (0, 1)
F6-08 (036A)	Comm Parameter Reset @Initialize	<p>Selects whether communication-related parameters <i>F6-xx and F7-xx</i> are set back to original default values when you use parameter <i>A1-03 [Initialize Parameters]</i> to initialize the drive.</p> <p>0 : No Reset - Parameters Retained</p> <p>1 : Reset - Back to Factory Default</p> <p>Note:</p> <p>When you set <i>F6-08</i> to 1 and you then use <i>A1-03</i> to initialize the drive, the drive will not change this setting value.</p>	0 (0, 1)
F6-14 (03BB)	Bus Error Auto Reset	<p>Enables and disables the automatic reset of a <i>bUS [Option Communication Error]</i> fault.</p> <p>0 : Disabled</p> <p>1 : Enabled</p> <p>Note:</p> <ul style="list-style-type: none"> • This parameter is not available in all 1000-series drives. • Changes to this parameter take effect immediately. It is not necessary to cycle power on the drive. 	0 (0, 1)

No. (Hex.)	Name	Description	Default (Range)
F6-15 (0B5B)	Comm. Option Parameters Reload	Sets how the drive will enable the <i>F6-xx/F7-xx</i> communication-related parameters that you changed. 0 : Reload at Next Power Cycle 1 : Reload Now 2 : Cancel Reload Request Note: <ul style="list-style-type: none"> • <i>F6-15</i> is reset to 0 after setting 1 or 2. • Not available on 1000-series drives. 	0 (0 - 2)
F7-01 (03E5)	IP Address 1	Sets the static/fixd IP address. Sets the most significant octet. Note: <ul style="list-style-type: none"> • This parameter is only effective when <i>F7-13 = 0</i> [<i>Address Mode at Startup = Static</i>]. • All IP Addresses must be unique. • You must cycle power to the drive for the changes to take effect. For non-1000 series drives, you can set <i>F6-15 = 1</i> [<i>Comm. Option Parameters Reload = Reload Now</i>]. 	192 (0 - 255)
F7-02 (03E6)	IP Address 2	Sets the static/fixd IP address. Sets the second most significant octet. Note: <ul style="list-style-type: none"> • This parameter is only effective when <i>F7-13 = 0</i> [<i>Address Mode at Startup = Static</i>]. • All IP Addresses must be unique. • You must cycle power to the drive for the changes to take effect. For non-1000 series drives, you can set <i>F6-15 = 1</i> [<i>Comm. Option Parameters Reload = Reload Now</i>]. 	168 (0 - 255)
F7-03 (03E7)	IP Address 3	Sets the static/fixd IP address. Sets the third most significant octet. Note: <ul style="list-style-type: none"> • This parameter is only effective when <i>F7-13 = 0</i> [<i>Address Mode at Startup = Static</i>]. • All IP Addresses must be unique. • You must cycle power to the drive for the changes to take effect. For non-1000 series drives, you can set <i>F6-15 = 1</i> [<i>Comm. Option Parameters Reload = Reload Now</i>]. 	1 (0 - 255)
F7-04 (03E8)	IP Address 4	Sets the static/fixd IP address. Sets the fourth most significant octet. Note: <ul style="list-style-type: none"> • This parameter is only effective when <i>F7-13 = 0</i> [<i>Address Mode at Startup = Static</i>]. • All IP Addresses must be unique. • You must cycle power to the drive for the changes to take effect. For non-1000 series drives, you can set <i>F6-</i> 	20 (0 - 255)

No. (Hex.)	Name	Description	Default (Range)
		<i>15 = 1 [Comm. Option Parameters Reload = Reload Now].</i>	
F7-05 (03E9)	Subnet Mask 1	<p>Sets the static/fixed Subnet Mask. Sets the most significant octet.</p> <p>Note:</p> <ul style="list-style-type: none"> • This parameter is only effective when <i>F7-13 = 0 [Address Mode at Startup = Static].</i> • All IP Addresses must be unique. • You must cycle power to the drive for the changes to take effect. For non-1000 series drives, you can set <i>F6-15 = 1 [Comm. Option Parameters Reload = Reload Now].</i> 	255 (0 - 255)
F7-06 (03EA)	Subnet Mask 2	<p>Sets the static/fixed Subnet Mask. Sets the second most significant octet.</p> <p>Note:</p> <ul style="list-style-type: none"> • This parameter is only effective when <i>F7-13 = 0 [Address Mode at Startup = Static].</i> • All IP Addresses must be unique. • You must cycle power to the drive for the changes to take effect. For non-1000 series drives, you can set <i>F6-15 = 1 [Comm. Option Parameters Reload = Reload Now].</i> 	255 (0 - 255)
F7-07 (03EB)	Subnet Mask 3	<p>Sets the static/fixed Subnet Mask. Sets the third most significant octet.</p> <p>Note:</p> <ul style="list-style-type: none"> • This parameter is only effective when <i>F7-13 = 0 [Address Mode at Startup = Static].</i> • All IP Addresses must be unique. • You must cycle power to the drive for the changes to take effect. For non-1000 series drives, you can set <i>F6-15 = 1 [Comm. Option Parameters Reload = Reload Now].</i> 	255 (0 - 255)
F7-08 (03EC)	Subnet Mask 4	<p>Sets the static/fixed Subnet Mask. Parameter F7-08 sets the fourth most significant octet.</p> <p>Note:</p> <ul style="list-style-type: none"> • This parameter is only effective when <i>F7-13 = 0 [Address Mode at Startup = Static].</i> • All IP Addresses must be unique. • You must cycle power to the drive for the changes to take effect. For non-1000 series drives, you can set <i>F6-15 = 1 [Comm. Option Parameters Reload = Reload Now].</i> 	0 (0 - 255)
F7-09 (03ED)	Gateway Address 1	<p>Sets the static/fixed Gateway address. Sets the most significant octet.</p> <p>Note:</p> <ul style="list-style-type: none"> • This parameter is only effective when <i>F7-13 = 0 [Address Mode at Startup = Static].</i> 	192 (0 - 255)

No. (Hex.)	Name	Description	Default (Range)
		<ul style="list-style-type: none"> All IP Addresses must be unique. You must cycle power to the drive for the changes to take effect. For non-1000 series drives, you can set $F6-15 = 1$ [<i>Comm. Option Parameters Reload = Reload Now</i>]. 	
F7-10 (03EE)	Gateway Address 2	<p>Sets the static/fixed Gateway address. Sets the second most significant octet.</p> <p>Note:</p> <ul style="list-style-type: none"> This parameter is only effective when $F7-13 = 0$ [<i>Address Mode at Startup = Static</i>]. All IP Addresses must be unique. You must cycle power to the drive for the changes to take effect. For non-1000 series drives, you can set $F6-15 = 1$ [<i>Comm. Option Parameters Reload = Reload Now</i>]. 	168 (0 - 255)
F7-11 (03EF)	Gateway Address 3	<p>Sets the static/fixed Gateway address. Sets the third most significant octet.</p> <p>Note:</p> <ul style="list-style-type: none"> This parameter is only effective when $F7-13 = 0$ [<i>Address Mode at Startup = Static</i>]. All IP Addresses must be unique. You must cycle power to the drive for the changes to take effect. For non-1000 series drives, you can set $F6-15 = 1$ [<i>Comm. Option Parameters Reload = Reload Now</i>]. 	1 (0 - 255)
F7-12 (03F0)	Gateway Address 4	<p>Sets the static/fixed Gateway address. Parameter F7-12 sets the fourth most significant octet.</p> <p>Note:</p> <ul style="list-style-type: none"> This parameter is only effective when $F7-13 = 0$ [<i>Address Mode at Startup = Static</i>]. All IP Addresses must be unique. You must cycle power to the drive for the changes to take effect. For non-1000 series drives, you can set $F6-15 = 1$ [<i>Comm. Option Parameters Reload = Reload Now</i>]. 	1 (0 - 255)
F7-13 (03F1)	Address Startup Mode	<p>Selects how the option address is set.</p> <p>0 : Static 2 : DHCP</p> <p>Note:</p> <ul style="list-style-type: none"> Set $F7-01$ to $F7-04$ when $F7-13 = 0$. All IP Addresses ($F7-01$ to $F7-04$) must be unique. Set $F7-01$ to $F7-12$ when $F7-13 = 0$. 	2 (0, 2)
F7-14 (03F2)	Duplex Mode Selection	<p>Selects duplex mode setting.</p> <p>0 : Half/Half 1 : Auto/Auto</p>	1 (0 - 8)

No. (Hex.)	Name	Description	Default (Range)
		2 : Full/Full 3 : Half/Auto 4 : Half/Full 5 : Auto/Half 6 : Auto/Half 7 : Auto/Full 8 : Full/Auto Note: <ul style="list-style-type: none"> • When the duplex setting of a port is not set to Auto in F7-14 = 0, 2, you must set F7-15 [Communication Speed Selection]. • The left side of the setting value represents the setting value of port 1, and the right side of the setting value represents the setting value of port 2. 	
F7-15 (03F3)	Communication Speed Selection	Sets the communications speed. 10 : 10 Mbps (Port 1)/10 Mbps (Port 2) 100 : 100 Mbps (Port 1)/100 Mbps (Port 2) 101 : 10 Mbps (Port 1)/100 Mbps (Port 2) 102 : 100 Mbps (Port 1)/10 Mbps (Port 2)	10 (10 - 102)
F7-23 - F7-27 03FB - 03FF	Dynamic Output Assembly Parameters 1 - 5	Sets configurable outputs 1 - 5.	0 (Hex.) (0 - FFFF (Hex.))
F7-33 - F7-37 (0375 - 0379)	Dynamic Input Assembly Parameters 1 - 5	Sets configurable inputs 1 - 5.	0 (Hex.) (0 - FFFF (Hex.))
H5-11 (043C)	Communications ENTER Function Selection (Function common to communication option)	Sets when an Enter command is necessary to use MEMOBUS/Modbus communications to change parameter values. 0 : Parameter changes are activated when ENTER command is written 1 : Parameter changes are activated immediately. No ENTER command is necessary.	0 (0, 1)

Table 6.1 Option Monitors

No.	Name	Description	Range
U6-80 - U6-83	Option IP Address 1 - 4	Shows the currently available local IP Address. <ul style="list-style-type: none"> • U6-80: 1st octet • U6-81: 2nd octet • U6-82: 3rd octet • U6-83: 4th octet 	0 - 255
U6-84 - U6-87	Online Subnets 1 - 4	Shows the currently available subnet mask. <ul style="list-style-type: none"> • U6-84: 1st octet • U6-85: 2nd octet • U6-86: 3rd octet • U6-87: 4th octet 	0 - 255
U6-88 - U6-91	Online Gateways 1 - 4	Shows the currently available gateway address. <ul style="list-style-type: none"> • U6-88: 1st octet • U6-89: 2nd octet • U6-90: 3rd octet • U6-91: 4th octet 	0 - 255
U6-92	Online Speed	Shows CN1 Port 1 link speed currently available.	10: 10 Mbps 100: 100 Mbps
U6-93	Online Duplex	Shows CN1 Port 1 duplex setting currently available.	0: Half 1: Full
U6-94	Online Speed	Shows CN1 Port 2 link speed currently available.	10: 10 Mbps 100: 100 Mbps
U6-95	Online Duplex	Shows CN1 Port 2 duplex setting currently available.	0: Half 1: Full
U6-97	OPT SPARE 4	Shows option software version.	-
U6-98	First Fault	Shows first option fault. Refer to page 69 for more information.	-
U6-99	Current Fault	Shows current option fault. Refer to page 69 for more information.	-

7 PROFINET Messaging

◆ PROFINET Overview

This section describes the communication profile used between the PROFINET I/O network and the option.

The option supports the PROFIdrive profile. Users can select between the control and status words according to the PROFIdrive profile or use the Yaskawa-specific control and status words.

◆ PROFIdrive Communication Profile

■ The Control Word and the Status Word

The contents of the Control Word and the Status Word are detailed in [Table 7.1](#) and [Table 7.2](#) respectively. The drive states are presented in the PROFIdrive State Machine ([Figure 7.1](#)).

■ Frequency Reference

The Frequency reference is a 16-bit word containing a sign bit and a 15-bit integer. A negative reference (indicating reverse direction of rotation) is formed by calculating the two's complement from the corresponding positive reference. The reference value is the desired output frequency.

■ Output Frequency

Output Frequency is a 16-bit word containing the current output frequency (*U1-02*) of the drive.

Table 7.1 Control Word for PROFIdrive Communication Profile

Bit	Name	Value	Proceed to STATE/Description
0	ON	1	Proceed to READY TO OPERATE.
	OFF1	0	Emergency OFF. Proceed to OFF1 ACTIVE; proceed further to READY TO SWITCH ON unless other interlocks (OFF2, OFF3) are active.
1	OFF2	1	Continue operation (OFF2 inactive).
		0	Emergency OFF. Proceed to OFF2 ACTIVE; proceed further to SWITCH ON INHIBIT.
2	OFF3	1	Continue operation (OFF3 inactive).
		0	Emergency stop. Proceed to OFF3 ACTIVE; proceed further to SWITCH-ON INHIBIT.
3	OPERATION_ENABLE	1	Proceed to ENABLE OPERATION.
		0	Inhibit operation. Proceed to OPERATION INHIBIT.
4	RAMP_OUT_ZERO	1	Normal operation. Proceed to RAMP FUNCTION GENERATOR: ENABLE OUTPUT.
		0	Stop according to selected stop type.
5	RAMP_HOLD	1	Normal operation.

Bit	Name	Value	Proceed to STATE/Description
		0	Halt ramping (Ramp Function Generator output held). Proceed to RAMP FUNCTION GENERATOR: ENABLE ACCELERATOR.
6	RAMP_IN_ZERO	1	Normal operation. Proceed to OPERATING. Note: This bit is effective only if the fieldbus interface is set as the source for this signal by drive parameters.
		0	Force Ramp Function Generator input to zero.
7	RESET	0 > 1	Fault reset if an active fault exists. Proceed to SWITCH ON INHIBIT.
		0	(Continue normal operation)
8	INCHING_1	-	Inching 1. (Not supported)
9	INCHING_2	-	Inching 2. (Not supported)
10	REMOTE_CMD	1	Network control enabled.
		0	Network control disabled.
11 - 15	-	-	Reserved
0	RDY_ON	1	READY TO SWITCH ON.
		0	NOT READY TO SWITCH ON.
1	RDY_RUN	1	READY TO OPERATE.
		0	OFF1 ACTIVE.
2	RDY_REF	1	ENABLE OPERATION.
		0	DISABLE OPERATION.
3	TRIPPED	1	FAULT.
		0	No fault.
4	OFF_2_STA	1	OFF2 inactive.
		0	OFF2 ACTIVE.
5	OFF_3_STA	1	OFF3 inactive.
		0	OFF3 ACTIVE.
6	SWC_ON_INHIB	1	SWITCH-ON INHIBIT ACTIVE.
		0	SWITCH-ON INHIBIT NOT ACTIVE.

Bit	Name	Value	Proceed to STATE/Description
7	ALARM	1	Warning/Alarm.
		0	No Warning/Alarm.
8	SPEED_ERROR	1	WITHIN TOLERANCE.
		0	OUT OF TOLERANCE.
9	REMOTE	1	Drive control location: REMOTE.
		0	Drive control location: LOCAL.
10	AT_SETPOINT	1	OPERATING. Actual value equals reference value (i.e., within tolerance limits).
		0	Actual value differs from reference value (i.e., outside tolerance limits).
11 - 15	-	-	Reserved

Table 7.2 Status Word for the PROFIdrive Communication Profile

Bit	Name	Value	Proceed to STATE/Description
0	RDY_ON	1	READY TO SWITCH ON.
		0	NOT READY TO SWITCH ON.
1	RDY_RUN	1	READY TO OPERATE.
		0	OFF1 ACTIVE.
2	RDY_REF	1	ENABLE OPERATION.
		0	DISABLE OPERATION.
3	TRIPPED	1	FAULT.
		0	No fault.
4	OFF_2_STA	1	OFF2 inactive.
		0	OFF2 ACTIVE.
5	OFF_3_STA	1	OFF3 inactive.
		0	OFF3 ACTIVE.
6	SWC_ON_INHIB	1	SWITCH-ON INHIBIT ACTIVE.
		0	SWITCH-ON INHIBIT NOT ACTIVE.
7	ALARM	1	Warning/Alarm.

Bit	Name	Value	Proceed to STATE/Description
		0	No Warning/Alarm.
8	SPEED_ERROR	1	WITHIN TOLERANCE.
		0	OUT OF TOLERANCE.
9	REMOTE	1	Drive control location: REMOTE.
		0	Drive control location: LOCAL.
10	AT_SETPOINT	1	OPERATING. Actual value equals reference value (i.e., within tolerance limits).
		0	Actual value differs from reference value (i.e., outside tolerance limits).
11 - 15	-	-	Reserved

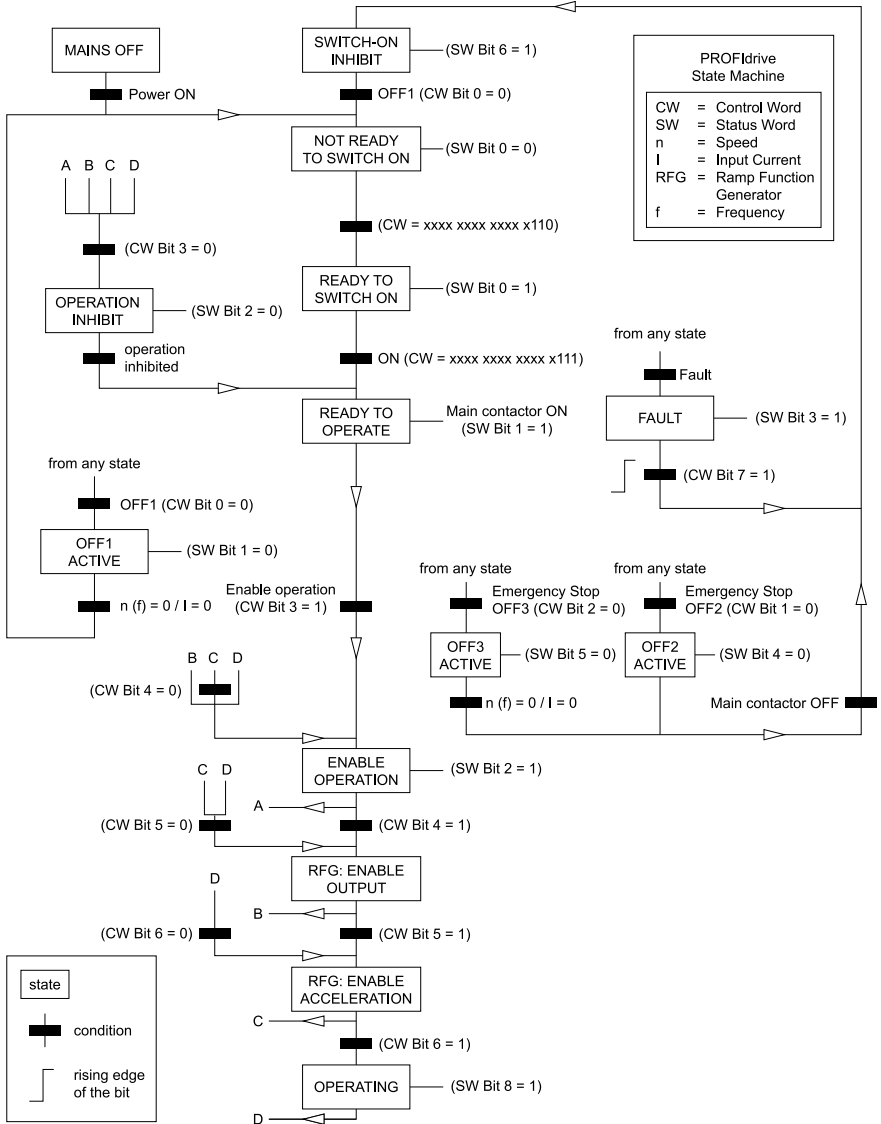


Figure 7.1 PROFIdrive State Machine

◆ Yaskawa Vendor-Specific Control and Status Words

■ The Control Word and the Status Word

The contents of the Control Word and the Status Word are detailed in [Table 7.3](#).

■ Frequency Reference

Frequency Reference is a 16-bit word containing the desired output frequency.

■ Output Frequency

Output Frequency is a 16-bit word containing the current output frequency of the drive.

Table 7.3 Yaskawa-Specific Control Word and Status Word

Yaskawa-Specific Control Word		Yaskawa-Specific Status Word	
Bit	Description	Bit	Description
0	Run bit	0	Running
1	Reverse run bit	1	Zero Speed
2	<i>EF0</i>	2	Reverse Operation
3	Fault Reset	3	Reset Signal Input Active
4	DI1	4	At Speed
5	DI2	5	Ready
6	DI3	6	Alarm
7	DI4	7	Fault
8	DI5	8	<i>oPE</i> Fault
9	DI6	9	<i>Uv</i> Return
10	DI7	10	2nd Motor
11	DI8 <i>*/</i>	11	ZSV
12	Not Used	12	Not Used
13	Not Used	13	Not Used
14	Not Used	14	Net Reference
15	Not Used	15	Net Control

*1 Bit 11 is not used for GA500.

8 Web Interface

The web server interface to the drive option through port 80 allows management of diagnostic information through a standard web browser. The available pages include:

- Home Page
- PROFINET Page
- Network Page
- Chart Page
- Email Alerts Page
- Settings Page

Access the web server interface by typing the IP address of the SI-EP3 option in a web browser address.

Example: "http://192.168.1.20"

The SI-EP3 IP Address is available using drive keypad to access Option Monitors *U6-80* to *U6-83*. Refer to page [Table 6.1](#) for more information.

◆ Home Page

The Home page shows the status of the drive and the I/O. It also shows identifying information about the drive and the option.

YASKAWA CIMR-AU2A0004 PROFINET / SI-EP3

Home PROFINET Network Chart Login

Drive Status

Ready

RUN ZERO SPD REV RESET AT SPD READY ALARM FAULT

Drive Monitors

Frequency Reference	0.00 Hz
Output Frequency	0.00 Hz
Motor Speed	0.00 Hz
Output Current	0.0 A
DC Bus Voltage	335 VDC
Torque Reference	0.0 %

Digital Inputs

<input type="checkbox"/>	S1
<input type="checkbox"/>	S2
<input type="checkbox"/>	S3
<input type="checkbox"/>	S4
<input type="checkbox"/>	S5
<input type="checkbox"/>	S6
<input type="checkbox"/>	S7
<input type="checkbox"/>	S8

Digital Outputs

<input type="checkbox"/>	M1-M2
<input checked="" type="checkbox"/>	M3-M4
<input type="checkbox"/>	M5-M6

Analog Inputs

A1	<input type="text" value="0.0"/>	0.0 %
A2	<input type="text" value="0.0"/>	0.0 %
A3	<input type="text" value="0.0"/>	0.0 %

Drive

Model	A1000
Full Model	CIMR-AU2A0004
Version	1024

Option Card

Model	SI-EP3
Version	VST904400 (R0)
Protocol	PROFINET
Serial Number	123456789ABCDEF

©2018 Yaskawa America, Inc. All Rights Reserved - WEB 422 (R0) Update Time: 1 sec

Figure 8.1 Home Page View

Note:

The initial password is yaskawa. To change the password, refer to [Settings Page on page 66](#).

◆ PROFINET Page

The PROFINET page shows basic information about the protocol. The station name of the option can be modified here, if the option is not actively connected to a PLC.

YASKAWA CIPR-GA80U4005
PROFINET / SI-EP3

Home PROFINET Network Chart Login

PROFINET

PLC Status	Connected
Station Name	drive1
Base MAC Address	00:20:B5:80:00:01
Port 1 MAC Address	00:20:B5:80:00:02
Port 2 MAC Address	00:20:B5:80:00:03

Edit Station Name

Edit Station Name Cancel Station Name Edit

New Station Name

Save Station Name

Downloads


GSDML V2.3 Download

©2019 Yaskawa America, Inc. All Rights Reserved - SWNUM Update Time: 250 ms

Figure 8.2 PROFINET Page View

◆ Network Page

The Network page shows the status of the option network traffic and the status of open I/O connections.


CIMR-AU2A0004
PROFINET / SI-EP3

Home	PROFINET	Network	Chart	Login
Identity				
IP Address	192.168.0.2		Packet Counters	Tx Rx
Subnet Mask	255.255.255.0		Ok	10693570 10887960
Gateway Address	192.168.0.2		Errors	0 0
MAC Address	00:20:B5:88:A5:22		Dropped	0 0
Address Mode	DHCP		Interface Counters	
Status		Port 1 Port 2	Port 1	Port 2
Link Status	Active	Active	In Octets	108593591 669041206
Speed	100 Mbps	100 Mbps	In Ucast Packets	784158 9799651
Duplex	Full	Full	In NUcast Packets	30952 297416
Auto-Negotiation	Successful	Successful	Out Octets	146860544 675327970
Misc			Out Ucast Packets	784317 9862959
Retry	0		Out NUcast Packets	313636 46271
Collisions	0		Media Counters	
Current Connections	1		Port 1	Port 2
			Alignment Errors	0 0
			FCS Errors	0 0
			Single Collisions	0 0
			Multiple Collisions	0 0
			Late Collisions	0 0
			Deferred Collisions	0 0
			Excessive Collisions	0 0
			Frame Too Large	0 0

©2018 Yaskawa America, Inc. All Rights Reserved - WEB 422 (R0)
Update Time: 1 sec

Figure 8.3 Network Page View

Table 8.1 Network Monitor Descriptions

Name	Description
Msg Tx OK	Cumulative number of messages transmit successfully from SI-EP3.
Msg Rx OK	Cumulative number of messages received successfully to SI-EP3.
Current Connections	Current number of open connections.
Msg Tx Dropped	Cumulative number of messages dropped due to output network buffer being full and unable to hold the new message.

Name	Description
Msg Rx Dropped	Cumulative number of messages dropped due to input network buffer being full and unable to hold the new message.
Collisions	Cumulative number of collisions (half duplex only) reported by the MAC/PHY (Media Access Control/Physical Layer).
Msg Tx Errors	Cumulative number of transmit errors reported by the MAC/PHY (Media Access Control/Physical Layer).
Msg Rx Errors	Cumulative number of receive errors reported by the MAC/PHY (Media Access Control/Physical Layer).
Tx Retry	Cumulative number of retransmits due to busy medium reported by the MAC/PHY (Media Access Control/Physical Layer).
IP Address	IP Address of the option.
Subnet Mask	Subnet Mask of the option.
Gateway Address	The Gateway IP Address that the option will use.
MAC Address	MAC Address of the option.
Address Mode	Either static IP address or DHCP.
Link Status	Active if the cable is plugged in, or inactive if no cable.
Speed	Connection speed, either 10 Mbps or 100 Mbps.
Duplex	Display either Full or Half.
Auto-Negotiation	If auto-negotiation is enabled, this will show the status of the negotiation.
In Octets	Cumulative number of incoming octets.
In Ucast Packets	Cumulative number of unicast packets received.
In NUCast Packets	Cumulative number of non-unicast packets received.
Out Octets	Cumulative number of outgoing octets.
Out Ucast Packets	Cumulative number of unicast packets sent.
Out NUCast Packets	Cumulative number of non-unicast packets sent.
Alignment Errors	Cumulative number of errors for uneven packets lengths.
FCS Errors	Cumulative number of frame check sequence errors.
Single Collisions	Cumulative number of single collisions.

Name	Description
Multiple Collisions	Cumulative number of multiple collisions.
Late Collisions	Cumulative number of late collisions.
Deferred Collisions	Cumulative number of deferred collisions.
Excessive Collisions	Cumulative number of excessive collisions.
Frame Too Large	Cumulative number of frames that exceed the maximum frame size.

Note:

Cumulative counters are reset when the power supply is cycled.

◆ Chart Page

The Chart page can be used to monitor one signal from a predefined list.

List:

- Frequency Reference
- Output Frequency
- Output Current
- Motor Speed
- Torque Reference
- DC Bus Voltage
- Terminal Analog Input 1
- Terminal Analog Input 2
- Terminal Analog Input 3

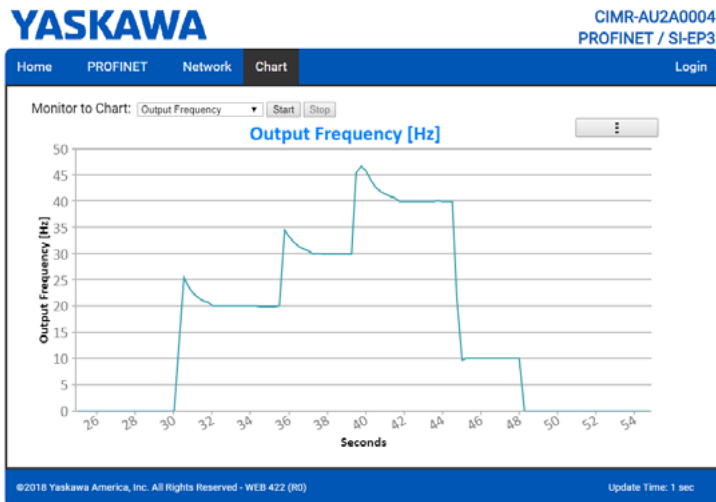


Figure 8.4 Chart Page View

◆ Email Alerts Page

The Email Alerts page allows the user to configure four Email Fault/Alarm conditions. When the condition is true, one email will be sent to the provided email address. Another email will not be sent until the condition becomes false and then true again. A 30-second timer prevents emails from being sent when conditions reoccur immediately after being removed. The timer helps limit the amount of emails sent regarding the same intermittent condition and helps to reduce network traffic by reducing emails about reoccurring errors. Click "Save Email Settings" when you save the entered information into the option.

Home PROFINET Network Chart **Email Alerts** Parameter Access Settings Logout

Conditional Email 1

Enable

Condition Frequency Reference

Address ToAddress1@ToDomain1 Subject Subject1

Message Text1

Conditional Email 2

Enable

Condition Frequency Reference

Address ToAddress2@ToDomain2 Subject Subject2

Message Text2

Conditional Email 3

Enable

Condition Frequency Reference

Address ToAddress3@ToDomain3 Subject Subject3

Message Text3

Conditional Email 4

Enable

Condition Frequency Reference

Address ToAddress4@ToDomain4 Subject Subject4

Message Text4

©2018 Yaskawa America, Inc. All Rights Reserved - WEB 422 (R0) Update Time: 1 sec

Figure 8.5 Email Alerts Page View

■ **Procedure: Conditional Email Set-up**

1. Click the “Enable” check box to enable the alert.
2. Define the condition that will trigger the email by selecting a monitor parameter, a comparator, and a value.
Set the conditions to send alerts from the “Condition” drop-down selection. If choosing only one condition and no OR or AND are needed, set the “OR/AND” drop-down selection to “—”.
3. Enter the email address where the alert will be sent.
4. Enter the message that will appear in the email contents.
5. Enter the email subject.

◆ Parameter Access Page

The Parameter Access page allows the user to read and write parameters from the drive. Write access is restricted until a valid password is entered.

Figure 8.6 Parameter Access Page View

The MEMOBUS/Modbus address for the drive parameter being accessed must be entered in hexadecimal.

Clicking “Read” will load and display the current value of the given MEMOBUS/Modbus Address.

Clicking “Set” will save the given value to the given MEMOBUS/Modbus address.

After a “Read” or “Set” command is given, Status will display “Waiting” while the action is being carried out, then “Read Successful” or “Write Successful” is displayed when finished.

◆ Settings Page

The Settings page sets web page behavior parameters. Access is restricted unless a valid password is entered.

Figure 8.7 Settings Page View

■ Security Login

Click “Login” and enter a valid password. The button text will change to “Log out” and the status will change to “Logged in”.

Note:

The default security password is “yaskawa”.

This password can be changed in the “Change Password” section of the Settings page.

Entering a valid password allows access to the settings in the Settings page, Email Alerts page, and the Parameter Access page.

■ Webpage Password

To change the password, enter the new password in the “New Password:” and “Confirm Password:” text boxes. Click “Save password”.

■ Webpage Settings

The values displayed in the various tabs are refreshed at the rate defined in the “Data Update Time” select box.

The Data Update Time can be set to 250 ms, 500 ms, 1 second, 2 seconds, or 5 seconds.

■ Email Settings

The “Email Server IP Address” text box must contain the IP address of the email server. The subnet address is configured in drive parameters *F7-05* through *F7-08*. The configured email alerts will use the server at this address when sending emails.

Enter the email server port in the “Email Server Port” text box.

The value in the “From Email Address” text box identifies the origin of the email alerts to the recipient.

To save the entered information into the option, click “Save Email Settings”.

9 Troubleshooting

◆ Drive-Side Error Codes

Drive-side error codes appear on the drive keypad. [Faults on page 67](#) lists causes of the errors and possible corrective actions. Refer to the drive Technical Manual for additional error codes that may appear on the drive keypad.

■ Faults

Both *bUS* [*Option Communication Error*] and *EF0* [*Option Card External Fault*] can appear as a fault. When a fault occurs, the keypad ALM LED stays lit. When an alarm occurs, the ALM LED flashes. When an alarm occurs, the ALM LED flashes.

If communication stops while the drive is running, use the following questions as a guide to help remedy the fault:

- Is the communication line properly connected to the option? Is it loose?
- Did you correctly connect the communication line to the option?
- Is the PLC program working? Is the controller/PLC CPU stopped?
- Did a momentary power loss interrupt communications?

Code	Name	Causes	Possible Solutions
bUS	Option Communication Error	The drive did not receive a signal from the controller.	<ul style="list-style-type: none"> • Check for wiring errors. • Correct the wiring.
		The communications cable wiring is incorrect.	
		An existing short circuit or communications disconnection	Check disconnected cables and short circuits and repair as needed

Code	Name	Causes	Possible Solutions
		A data error occurred due to electric interference	<ul style="list-style-type: none"> Prevent noise in the control circuit, main circuit, and ground wiring. If you identify a magnetic contactor as a source of noise, install a surge absorber to the contactor coil. Use only recommended cables or other shielded line. Ground the shield on the controller side or the drive input power side. Separate all communication wiring from drive power lines. Install an EMC noise filter to the drive power supply input. Counteract noise in the master controller (PLC).
		Option is damaged	If there are no problems with the wiring and the error continues to occur, replace the option.
		Connection Time-out	<ul style="list-style-type: none"> The option Requested Packet Interval (RPI) timer timed out Make sure that RPI time is set properly
EF0	Option Card External Fault	The option received an external fault from the controller.	<ol style="list-style-type: none"> Find the device that caused the external fault and remove the cause. Clear the external fault input from the controller.
		A programming error occurred on the controller side.	Examine the operation of the controller program.
oFA00	Option Not Compatible with Port	The option connected to connector CN5-A is not compatible.	<p>Connect the option to the correct connector.</p> <ul style="list-style-type: none"> Use connector CN5-A when you connect the option. To use other options, refer to those option manuals.
oFA01	Option Card Fault (CN5-A)	The option connected to option port CN5-A was changed during run.	<ol style="list-style-type: none"> De-energize the drive. Connect the option to the correct option port.
oFA03, oFA04	Option Card Error (CN5-A)	A fault occurred in the option.	<ol style="list-style-type: none"> De-energize the drive. Make sure that the option is correctly connected to the connector. If the problem continues, replace the option.

Code	Name	Causes	Possible Solutions
oFA30 to oFA43	Option Card Connection Error (CN5-A)	A fault occurred in the option.	<ol style="list-style-type: none"> 1. De-energize the drive. 2. Make sure that the option is correctly connected to the connector. 3. If the problem continues, replace the option.
oFb00	Option Not Compatible with Port	The option connected to connector CN5-B is not compatible.	<p>Connect the option to the correct connector.</p> <ul style="list-style-type: none"> • Use connector CN5-A when you connect the option. To use other options, refer to those option manuals.
oFb02	Option Fault	An option of the same type is already installed in option port CN5-A, CN5-B, or CN5-C.	Connect the option to the correct option port.
oFC00	Option Fault (CN5-B)	The option connected to connector CN5-C is not compatible.	<p>Connect the option to the correct connector.</p> <ul style="list-style-type: none"> • Use connector CN5-A when you connect the option. To use other options, refer to those option manuals.
oFC02	Option Fault	An option of the same type is already installed in option port CN5-A, CN5-B, or CN5-C.	Connect the option to the correct option port.

◆ Option Fault Monitors U6-98 and U6-99

The option can declare error/warning conditions via drive monitor parameters on the drive keypad as shown in [Table 9.1](#).

Table 9.1 Option Fault Monitor Descriptions

Fault Condition	Fault Declared	Status Value (U6-98/ U6-99)	Description
No Fault	N/A	0	No Fault
Force Fault	EF0	3	Network sent a message to force this node to the fault state.
Network Link Down	bUS	1300	No network link to option board.
Network Failure	bUS	1301	Connection with PLC Timeout.
Default MAC Address	None	1303	Factory default MAC Address programmed into the option. Return for reprogramming.
No IP Address	None	1304	No IP Address has been programmed into the option.

Fault Condition	Fault Declared	Status Value (U6-98/ U6-99)	Description
No Station Name	None	1305	No Station Name has been programmed into the option.
Bad Station Name Programmed	None	1306	Station Name Programmed is invalid and must be reprogrammed.
Init. Failure	None	1307	Initialize error on power-up.
Permanent Communication Loss	bUS	1308	Fatal error in MAC/PHY hardware Cycle power.
Bad IP Configuration	None	1309	Invalid IP/subnet/gateway address programmed into F7-01 - F7-12.

Two drive monitor parameters, *U6-98* and *U6-99* assist in network troubleshooting:

- *U6-98*: Shows the first declared fault since the last power cycle. Only cleared upon drive power-up.
- *U6-99*: Shows the present option SI-EP3 status. Cleared upon a network-issued fault reset and upon power-up.

If another fault occurs while the original fault is still active, parameter *U6-98* retains the original fault value and *U6-99* stores the new fault status value.

◆ Option Compatibility

You can connect a maximum of 3 options at the same time depending on the type of option.

Note:

- You can only connect one option to the GA500 and HV600 drives. Connect the option to the CN5 connector.
- You can connect two options to an FP605 drive. Connect the communication option to the CN5-A connector.
- Compatible communication options are different for different models. Refer to the drive manuals for more information.

Table 9.2 Option Compatibility

Option	Connector	Number of Options Possible
PG-B3 *1, PG-X3 *1	CN5-B, C	2 *2
PG-RT3 *1 *3 *4, PG-F3 *1 *3 *4	CN5-C	1

Option	Connector	Number of Options Possible
DO-A3 *5, AO-A3 *5	CN5-A, B, and C	1
SI-C3, SI-N3, SI-P3, SI-S3, SI-T3, SI-ET3, SI-ES3, SI-B3, SI-M3, SI-W3 *4, SI-EM3 *4, SI-EM3D *4, SI-EN3 *4, SI-EN3D *4, SI-EP3, JOHB-SMP3, AI-A3 *5 *6, DI-A3 *5 *6	CN5-A	1

*1 Not available for GA500, HV600, or FP605 drives.

*2 To connect two PG options, use the CN5-C and CN5-B connectors. To connect only one PG option, use the CN5-C connector.

*3 If you use the motor switching function, you cannot use this option.

*4 Not available for 1000-Series drive models with capacities between 450 and 630 kW (650 to 1000 HP).

*5 Not available for GA500 or HV600 drives.

*6 To use AI-A3 and DI-A3 input statuses as monitors, connect the options to CN5-A, CN5-B, or CN5-C.

10 European Standards



Figure 10.1 CE Mark

The CE mark indicates compliance with European safety and environmental regulations. European standards include the Machinery Directive for machine manufacturers, the Low Voltage Directive for electronics manufacturers, and the EMC Directive for controlling noise.

It is required for engaging in business and commerce in Europe.

This option displays the CE mark based on the EMC guidelines.

EMC Directive: 2014/30/EU

Drives used in combination with this option and devices used in combination with the drive must also be CE certified and display the CE mark.

When using drives displaying the CE mark in combination with other devices, it is ultimately the responsibility of the user to ensure compliance with CE standards. Verify that conditions meet European standards after setting up the device.

◆ EMC Directive Compliance

This option is tested according to European standard EN 61800- 3:2004/A1:2012 and complies with the EMC Directive. The CE marking is declared based on the harmonized standards.

■ Option Installation

Verify the following installation conditions to make sure that other devices and machinery used with this option and drive also comply with EMC guidelines:

1. Use dedicated shield cable for the option and external device (encoder, I/O device, master), or run the wiring through a metal conduit.
2. Keep wiring as short as possible and ground the largest possible surface area of the shield to the metal panel according to [Figure 10.2](#) and [Figure 10.3](#).

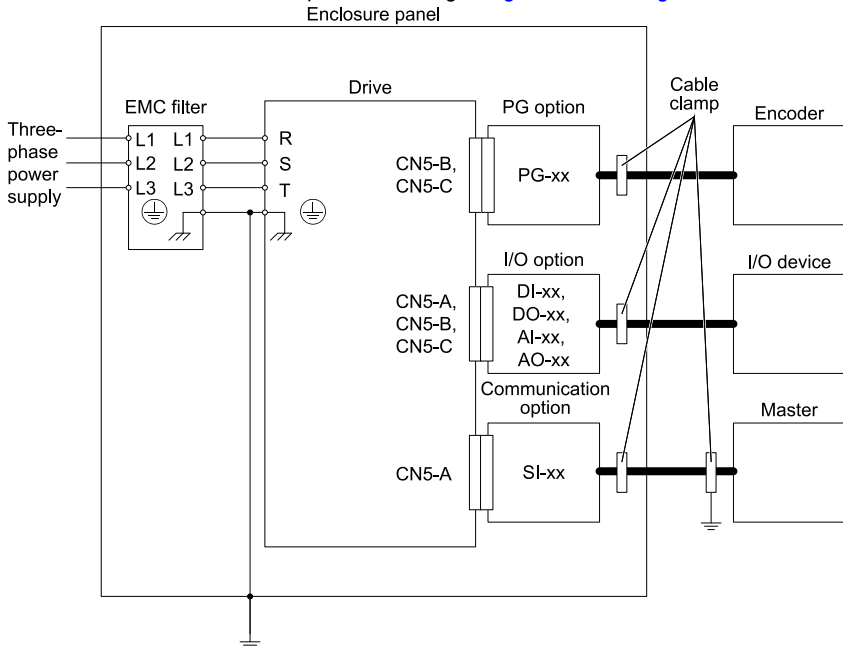


Figure 10.2 Option Installation for CE Compliance: 1000-Series, GA700, GA800, CR700, CH700

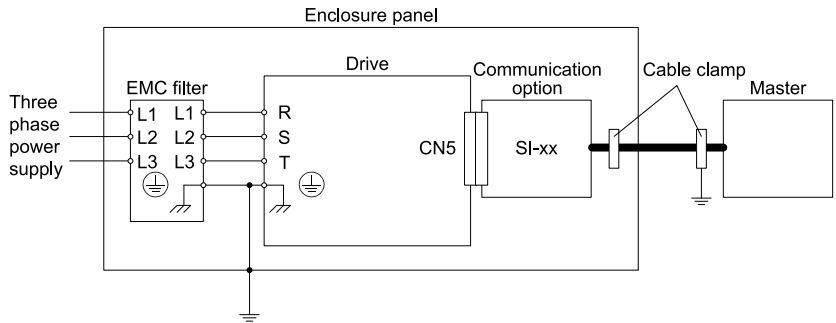


Figure 10.3 Option Installation for CE Compliance: GA500, HV600

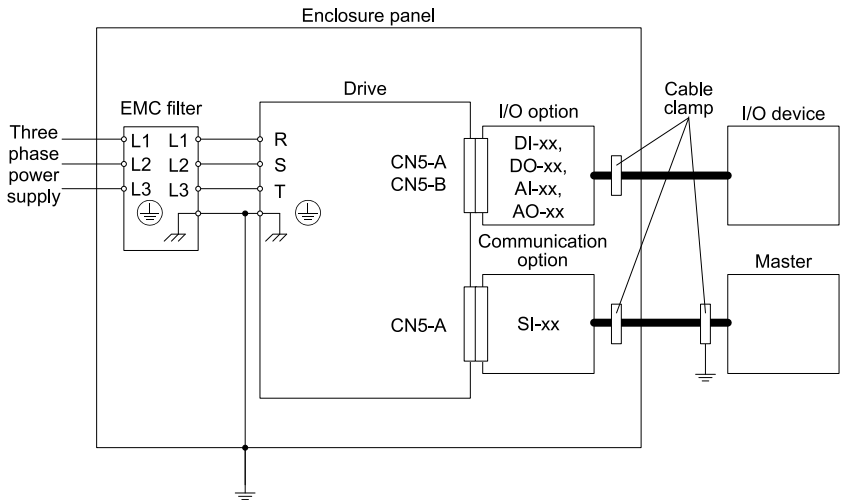
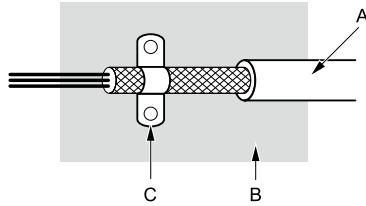


Figure 10.4 Option Installation for CE Compliance: FP605

3. Ground the largest possible surface area of the shield to the metal panel. Yaskawa recommends using cable clamps.



A - Braided shield cable
 B - Metal panel

C - Cable clamp (conductive)

Figure 10.5 Ground Area

11 Specifications

◆ Specifications

Table 11.1 Option Specifications

Items	Specifications
Model	SI-EP3
Option Conformance	Passed PROFINET Conformance Class A
Connector Type	Dual RJ45 8-pin Shielded Twisted Pair Cat 5e cable
Physical Layer Type	Isolated Physical Layer TCP Protocol Transformer Isolated
IP Address Setting	Programmable from drive keypad or network
Communication Speed	Programmable from drive keypad or network: 10/100 Mbps, auto-negotiate.
Number of Connections	1 PLC connection 1 supervisor connection 2 web page connections
Duplex Mode	Half-forced, Auto-negotiate, Full-forced
Address Startup Mode	Static, DHCP
Ambient Temperature	-10°C - +50°C (14°F - 122°F)
Humidity	Up to 95% RH (no condensation)
Storage Temperature	-20°C - +60°C (-4°F - 140°F) allowed for short-term transport of the product
Area of Use	Indoors and free from: <ul style="list-style-type: none"> • Oil mist, corrosive gas, flammable gas, and dust • Radioactive materials or flammable materials, including wood

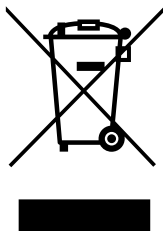
Items	Specifications
	<ul style="list-style-type: none"> • Harmful gas or fluids • Salt • Direct sunlight • Falling foreign objects
Altitude	Up to 1000 m (3280 ft)
PROFINET Functions	PROFINET IO with PROFIdrive profile Configurable I/O in cyclic messages Drive diagnostic alarms I&M0

12 Disposal

◆ Disposal Instructions

Correctly dispose of the product and packing material as specified by applicable regional, local, and municipal laws and regulations.

◆ WEEE Directive



The wheeled bin symbol on this product, its manual, or its packaging identifies that you must recycle it at the end of its product life.

You must discard the product at an applicable collection point for electrical and electronic equipment (EEE). Do not discard the product with usual waste.

Revision History

Date of Publication	Revision Number	Section	Revised Content
November 2021	1	All	Addition: Information on FP605 Revision: Reviewed and corrected entire documentation
December 2019	-	-	First Edition This manual is created based on TOBP C730600 89D<3>-0.

YASKAWA AC Drive Option

PROFINET

Installation Manual

DRIVE CENTER (INVERTER PLANT)

2-13-1, Nishimiyaichi, Yukukashi, Fukuoka,
824-8511, Japan
Phone: +81-930-25-2548 Fax: +81-930-25-3431
www.yaskawa.co.jp

YASKAWA ELECTRIC CORPORATION

New Pier Takeshiba South Tower, 1-16-1, Kaigan,
Minatoku, Tokyo, 105-6891, Japan
Phone: +81-3-5402-4502 Fax: +81-3-5402-4580
www.yaskawa.co.jp

YASKAWA AMERICA, INC.

2121, Norman Drive South, Waukegan, IL 60085, U.S.A.
Phone: +1-800-YASKAWA (927-5292) or +1-847-887-7000
Fax: +1-847-887-7310
www.yaskawa.com

YASKAWA ELÉTRICO DO BRASIL LTDA.

777, Avenida Piraporinha, Diadema, São Paulo,
09950-000, Brasil
Phone: +55-11-3585-1100 Fax: +55-11-3585-1187
www.yaskawa.com.br

YASKAWA EUROPE GmbH

Hauptstraße 185, 65760 Eschborn, Germany
Phone: +49-6196-569-300 Fax: +49-6196-569-398
www.yaskawa.eu.com
E-mail: info@yaskawa.eu.com

YASKAWA ELECTRIC KOREA CORPORATION

35F, Three IFC, 10 Gukjegeumyung-ro,
Yeongdeungpo-gu, Seoul, 07326, Korea
Phone: +82-2-784-7844 Fax: +82-2-784-8495
www.yaskawa.co.kr

YASKAWA ASIA PACIFIC PTE. LTD.

30A, Kallang Place, #06-01, 339213, Singapore
Phone: +65-6282-3003 Fax: +65-6289-3003
www.yaskawa.com.sg

YASKAWA ELECTRIC (THAILAND) CO., LTD.

59, 1F-5F, Flourish Building, Soi Ratchadapisek 18,
Ratchadapisek Road, Huaykwang, Bangkok, 10310,
Thailand
Phone: +66-2-017-0099 Fax: +66-2-017-0799
www.yaskawa.co.th

YASKAWA ELECTRIC (CHINA) CO., LTD.

22F, Link Square 1, No.222, Hubin Road, Shanghai,
200021, China
Phone: +86-21-5385-2200 Fax: +86-21-5385-3299
www.yaskawa.com.cn

YASKAWA ELECTRIC (CHINA) CO., LTD. BEIJING OFFICE

Room 1011, Tower W3 Oriental Plaza, No. 1,
East Chang An Avenue,
Dong Cheng District, Beijing, 100738, China
Phone: +86-10-8518-4086 Fax: +86-10-8518-4082

YASKAWA ELECTRIC TAIWAN CORPORATION

12F, No. 207, Section 3, Beishin Road, Shindian District,
New Taipei City 23143, Taiwan
Phone: +886-2-8913-1333
Fax: +886-2-8913-1513 or +886-2-8913-1519
www.yaskawa.com.tw

YASKAWA INDIA PRIVATE LIMITED

#17/A, Electronics City, Hosur Road, Bengaluru,
560 100 (Karnataka), India
Phone: +91-80-4244-1900 Fax: +91-80-4244-1901
www.yaskawaindia.in

YASKAWA

YASKAWA ELECTRIC CORPORATION

In the event that the end user of this product is to be the military and said product is to be employed in any weapons systems or the manufacture thereof, the export will fall under the relevant regulations as stipulated in the Foreign Exchange and Foreign Trade Regulations. Therefore, be sure to follow all procedures and submit all relevant documentation according to any and all rules, regulations and laws that may apply.

Specifications are subject to change without notice for ongoing product modifications and improvements.

© 2019 YASKAWA ELECTRIC CORPORATION



TOEPC73060089

MANUAL NO. TOEP C730600 89B <1>->0
Published in Japan November 2021
20-2-22
Original Instructions